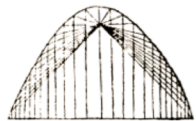
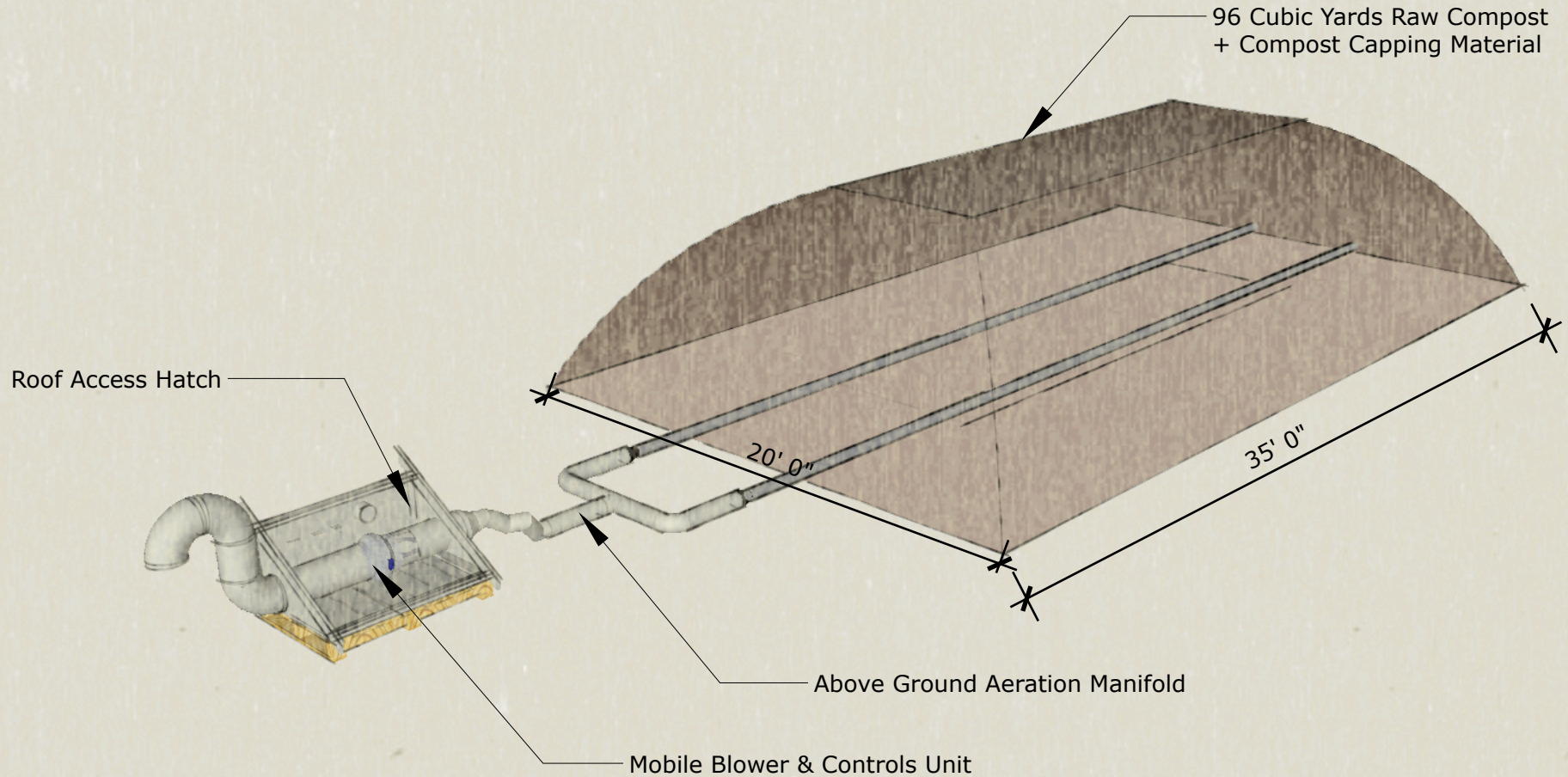


Capacity: 96 Cubic Yards Raw Compost/Batch  
 (sized based on permitted capacity of 16 Tons/Week  
 Food scraps and 5000 Yards/Year Total Organics)



**Compost  
 Technical  
 Services**

### Mobile Above Ground Aerated Static Pile System

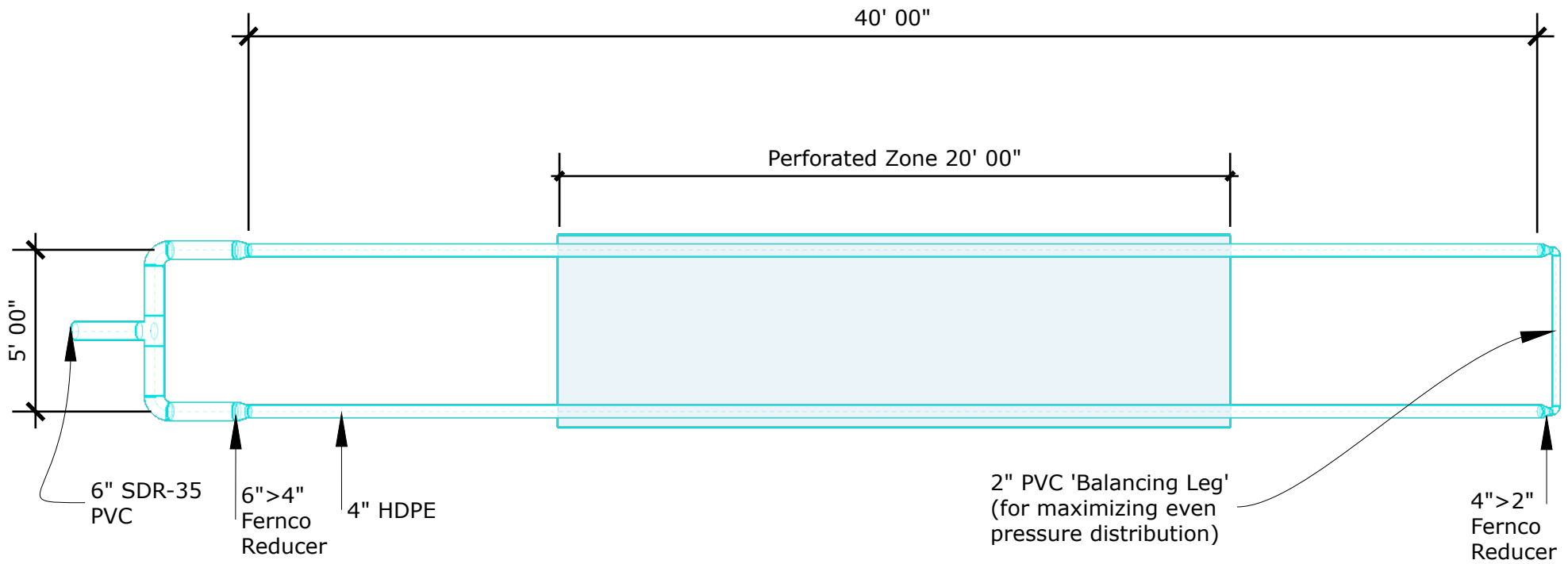
Kingdom View Compost  
 Lyndonville, VT

Compost Technical Services, LLC.  
 Cambridge, MA • Worcester, VT  
 (802) 224-6888  
 www.composttechnicalservices.com

Technical Lead  
 James McSweeney

#### REVISIONS

	MM/DD/YY	REMARKS
1	10/14/2015	DRAFT FOR REVIEW: CONFIGURATION MAY CHANGE
2	11/12/2015	FINAL DESIGN FOR BUILD
3	--/--/--	...
4	--/--/--	...
5	--/--/--	...



## Mobile Above Ground Aeration Manifold

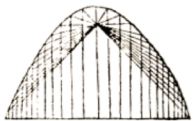
Kingdom View Compost  
Lyndonville, VT

Compost Technical Services, LLC.  
Cambridge, MA • Worcester, VT  
(802) 224-6888  
www.composttechnicalservices.com

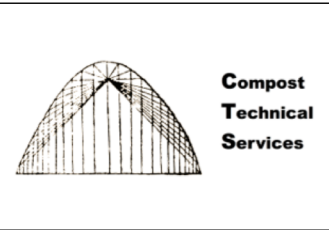
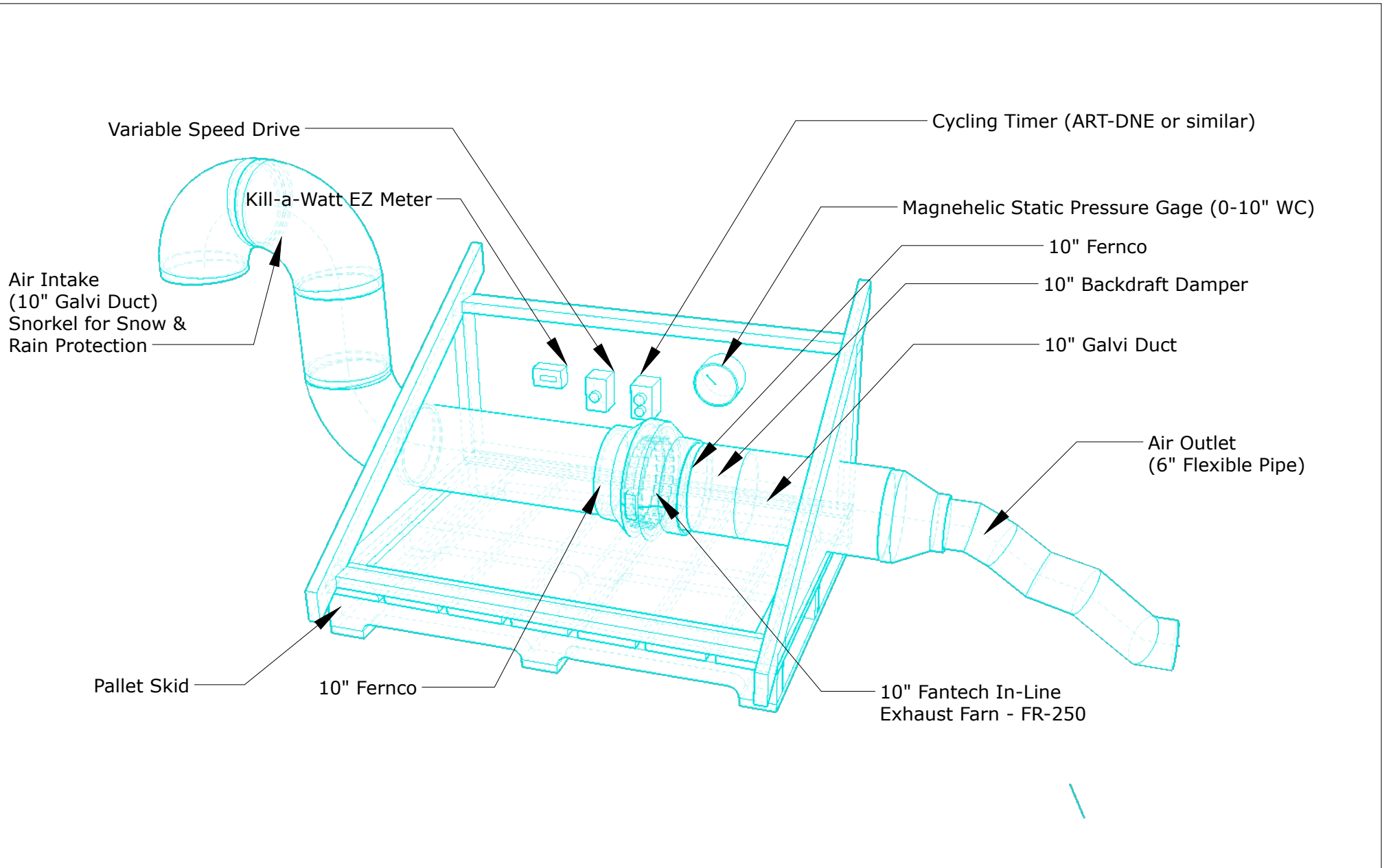
Technical Lead  
James McSweeney

### REVISIONS

	MM/DD/YY	REMARKS
1	10/14/2015	HDPE pipes can be removed using tractor & pipe "towing head"
2	11/12/2015	FINAL DESIGN FOR BUILD
3	--/--/--	...
4	--/--/--	...
5	--/--/--	...



**Compost  
Technical  
Services**



**Mobile Blower & Controls  
Unit On Skids**

Kingdom View Compost  
Lyndonville, VT

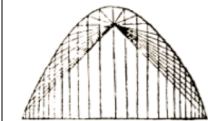
Compost Technical Services, LLC.  
Cambridge, MA • Worcester, VT  
(802) 224-6888  
www.composttechnicalservices.com

Technical Lead  
James McSweeney

REVISIONS		
	MM/DD/YY	REMARKS
1	10/14/2015	DRAFT FOR REVIEW: CONFIGURATION MAY CHANGE
2	11/12/2015	FINAL DESIGN FOR BUILD
3	--/--/--	...
4	--/--/--	...
5	--/--/--	...

# ASP Materials Budget Estimate

System Component	Material	# of Units	Unit Type	\$ Cost/Unit	Totals	Notes
ASP Manifold	4" HDPE Pipe	40	Feet	\$1.50	\$60.00	Need to locate local source
	6" SDR-35 PVC	10	Feet	\$2.30	\$23.00	
	6" SDR-35 Tee	1		\$13.00	\$13.00	
	6" SDR-35 90s	2		\$11.00	\$22.00	
	6" > 4" Fernco Reducer	2	#	\$22.00	\$44.00	
	4" > 2" Fernco Reducer	2	#	\$8.00	\$16.00	
	2" Schedule-40 90s	2		\$4.00	\$8.00	
	2" Schedule-40 90s	6	Feet	\$1.00	\$6.00	
	6" Smooth Flexible Pipe	1	#	\$50.00	\$50.00	<a href="http://www.amazon.com/Woodstock-W1036-6-Inch-10-Foot-Wire/dp/B0000DD2DY">http://www.amazon.com/Woodstock-W1036-6-Inch-10-Foot-Wire/dp/B0000DD2DY</a>
Mobile Blower Unit	10" Fantech In-Line Exhaust Fan - FR 250	1	#	\$250.00	\$250.00	<a href="http://www.supplyhouse.com/Fantech-FR250-FR-Series-Round-Inline-Exhaust-Fan-10-Duct-649-CFM?gclid=CILrPw_MgCFU2RHwo334cE9w">http://www.supplyhouse.com/Fantech-FR250-FR-Series-Round-Inline-Exhaust-Fan-10-Duct-649-CFM?gclid=CILrPw_MgCFU2RHwo334cE9w</a>
	Fantech - Variable Speed Drive	1	#	\$17.00	\$17.00	<a href="http://www.supplyhouse.com/Fantech-WC15-WC-Series-Variable-Speed-Control-with-On-Off-Switch-5A">http://www.supplyhouse.com/Fantech-WC15-WC-Series-Variable-Speed-Control-with-On-Off-Switch-5A</a>
	Art-Dne Cycle Timer	1	#	\$85.00	\$85.00	<a href="http://www.amazon.com/ART-DNE-Hydroponic-Adjustable-Interval-Controller/dp/B00286QNDM/ref=sr_1_1?ie=UTF8&amp;qid=1446851357&amp;sr=8-1&amp;keywords=art+dne+recycle+timer">http://www.amazon.com/ART-DNE-Hydroponic-Adjustable-Interval-Controller/dp/B00286QNDM/ref=sr_1_1?ie=UTF8&amp;qid=1446851357&amp;sr=8-1&amp;keywords=art+dne+recycle+timer</a>
	10" Fantech Backdraft Damper	1	#	\$23.00	\$23.00	<a href="http://www.supplyhouse.com/Fantech-RSK10-RSK-Series-10-Duct-Backdraft-Damper">http://www.supplyhouse.com/Fantech-RSK10-RSK-Series-10-Duct-Backdraft-Damper</a>
	10" > 6" Galvanized Steel Duct Reducer	1	#	\$10.00	\$10.00	
	10" Galvanized Steel Ducts (~24")	3	#	10	\$30.00	
	10" Galvanized Steel Duct Elbows	2	#	10	\$20.00	
	Pallet	1	#	0	\$0.00	
	2"x4" Lumber	5	WAG	4	\$20.00	
	Blueboard Insulation	1	4' x 8' sheet	20	\$20.00	
	Roofing	2	WAG	15	\$30.00	
	50'-100' Heavy Duty Outdoor Extension Cord	1	WAG	75	\$75.00	
	Magnehelic Static Pressure Gage (0-10" WC)	1	#	60	\$60.00	<a href="http://www.amazon.com/Dwyer-Magnehelic-Differential-Pressure-0-12500/dp/B009P9EP3U/ref=sr_1_14?s=industrial&amp;ie=UTF8&amp;qid=1447355904&amp;sr=1-14&amp;keywords=magnehelic+gauge">http://www.amazon.com/Dwyer-Magnehelic-Differential-Pressure-0-12500/dp/B009P9EP3U/ref=sr_1_14?s=industrial&amp;ie=UTF8&amp;qid=1447355904&amp;sr=1-14&amp;keywords=magnehelic+gauge</a>
Kill-A-Watt EZ Meter	1	WAG	35	\$35.00	<a href="https://www.altestore.com/store/Meters-Communications-Site-Analysis/Meters-Battery-Monitors/Power-Meters/Kill-A-Watt-EZ-Electricity-Cost-Usage-Meter-P4460/p6659?gclid=CJTHI_XXg8kCFVY2gQodylgP3w">https://www.altestore.com/store/Meters-Communications-Site-Analysis/Meters-Battery-Monitors/Power-Meters/Kill-A-Watt-EZ-Electricity-Cost-Usage-Meter-P4460/p6659?gclid=CJTHI_XXg8kCFVY2gQodylgP3w</a>	
Subtotal					\$917.00	
15% Contingency					\$137.55	
Total					\$1,054.55	



**Compost  
Technical  
Services**

## Materials Budget Estimate

Kingdom View Compost  
Lyndonville, VT

Compost Technical Services, LLC.  
Cambridge, MA • Worcester, VT  
(802) 224-6888  
www.composttechnicalservices.com

Technical Lead  
James McSweeney

### REVISIONS

	MM/DD/YY	REMARKS
1	--/--/--	...
2	--/--/--	...
3	--/--/--	...
4	--/--/--	...
5	--/--/--	...