

Pearling Machine Plans

Control Panel Assembly

Nigel Tudor
Weatherbury Farm



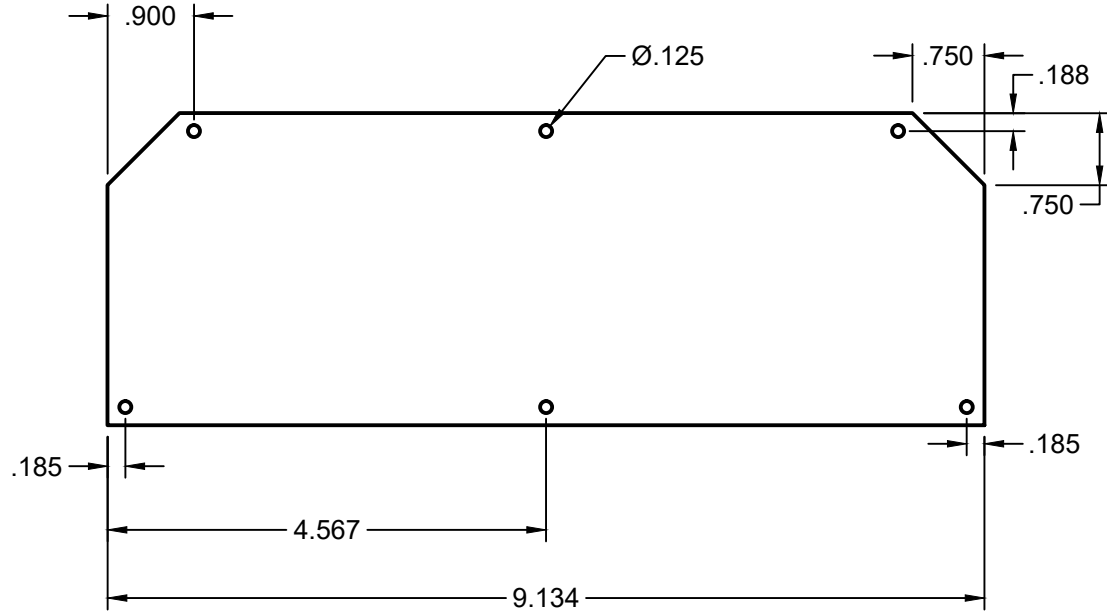
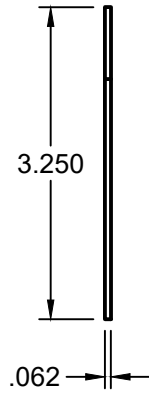
This material is based upon work supported by the National Institute of Food and Agriculture, U.S. Department of Agriculture, through the Northeast Sustainable Agriculture Research and Education program under subaward number FNE19-945. Any opinions, findings, conclusions, or recommendations expressed in this publication are those of the author(s) and do not necessarily reflect the view of the U.S. Department of Agriculture.

Project details found at https://projects.sare.org/sare_project/fne19-945/

Material: 16ga Steel

Number Required: 1

Process Notes:

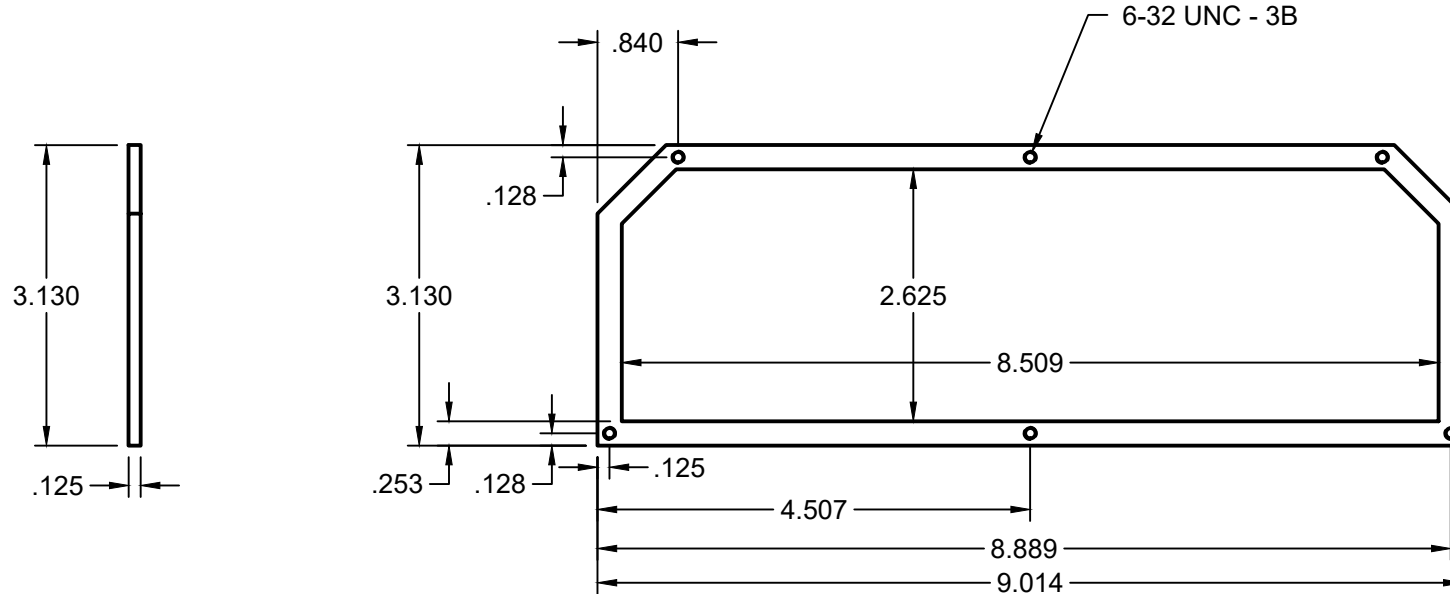


| Revision Record | Date | Tolerances | Date: | Part Number: |
|-----------------|------|--|------------------|-----------------------------------|
| | | (except as noted) Decimals: +/- .005 except where noted Fractional: +/- $\frac{1}{32}$ Angular: +/- 1° | 10/10/2022 | CP 5 |
| | | | Scale: 1:2 | Title: Back Cover |
| | | | Drawn By: NIT | Project Name: Pearling Machine |

Material: 10ga Steel

Number Required: 1

Process Notes:



Revision Record

Date

Tolerances

Date:

10/10/2022

Part Number:

CP 4

(except as noted)
Decimals:
+/- .005 except where noted
Fractional:
+/- $\frac{1}{32}$
Angular:
+/- 1°

Scale:

1:2

Title:

Back Flange

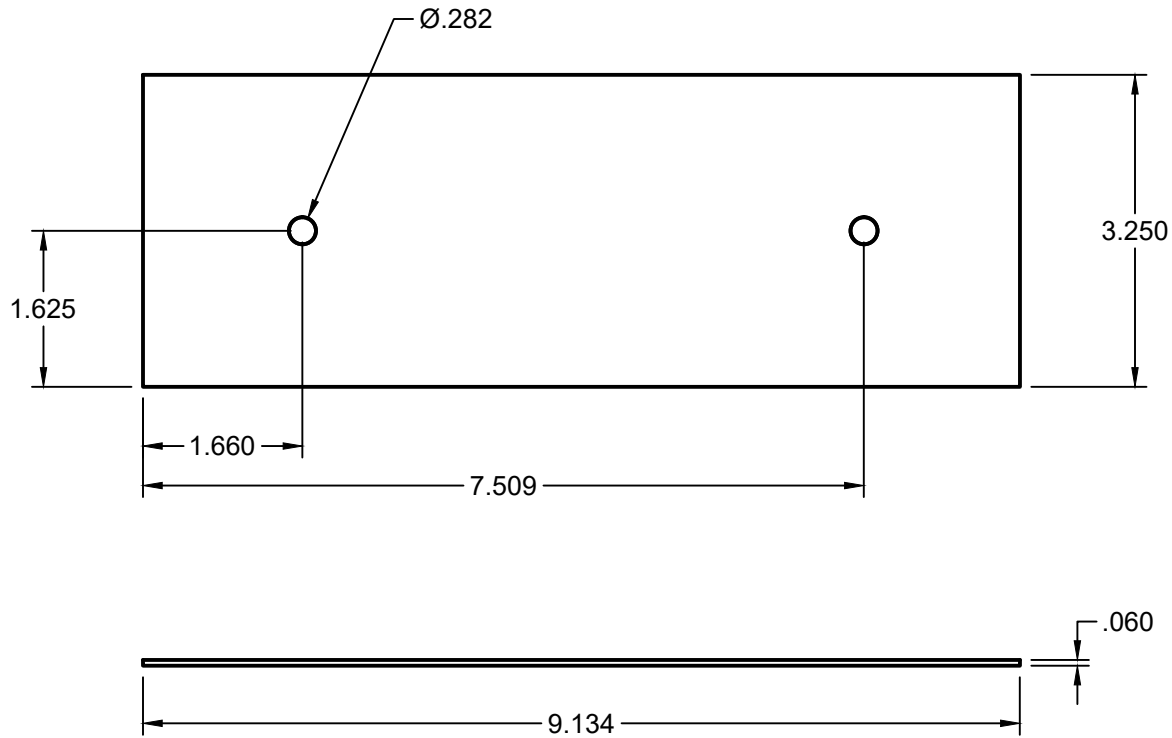
Drawn By:

NIT

Project Name:

Pearling Machine

Material: 16 ga Number Required: 1 Process Notes:

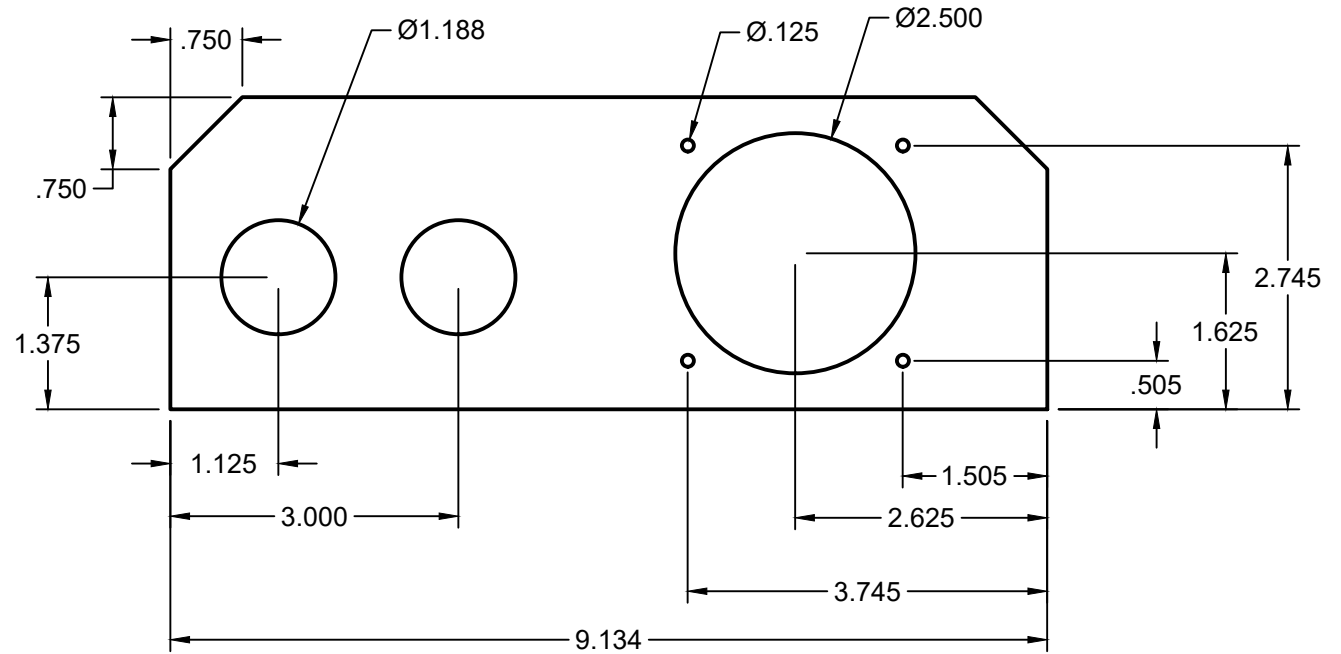
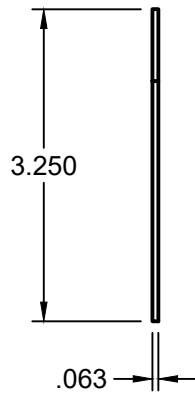


| | | | | |
|-----------------|------|--|---------------------|-----------------------------------|
| Revision Record | Date | Tolerances <small>(except as noted)</small> Decimals: +/- .005 except where noted Fractional: +/- $\frac{1}{32}$ Angular: +/- 1° | Date: 10/10/2022 | Part Number: CP3 |
| | | | Scale: 1:4 | Title: Bottom Side |
| | | | Drawn By: NIT | Project Name: Pearling Machine |

Material: 16ga Steel

Number Required: 1

Process Notes:



Revision Record

Date

Tolerances

Date:

10/10/2022

Part Number:

CP 1

(except as noted)
Decimals:
+/- .005 except where noted
Fractional:
+/- $\frac{1}{16}$
Angular:
+/- 1°

Scale:

1:2

Title:

Face Panel

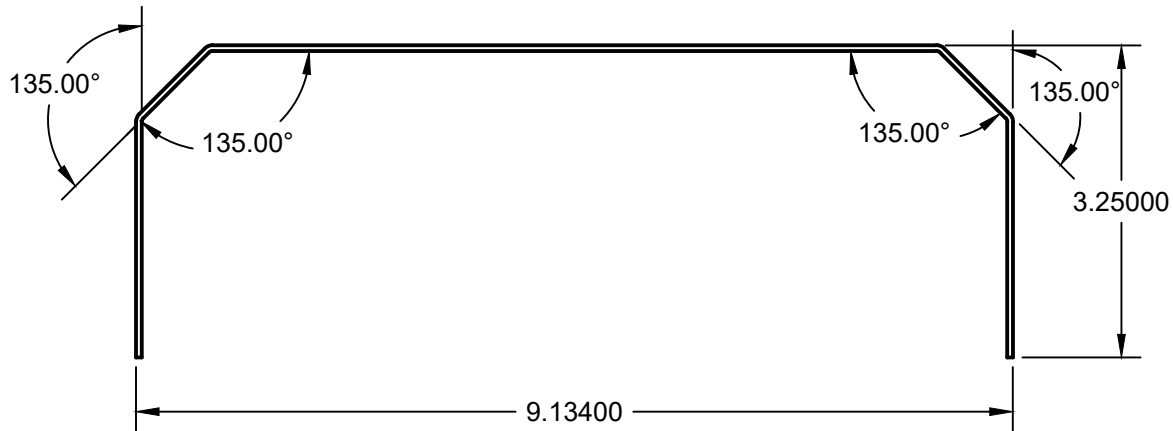
Drawn By:

NIT

Project Name:

Pearling Machine

Material: CP2 Number Required: 1 Process Notes:

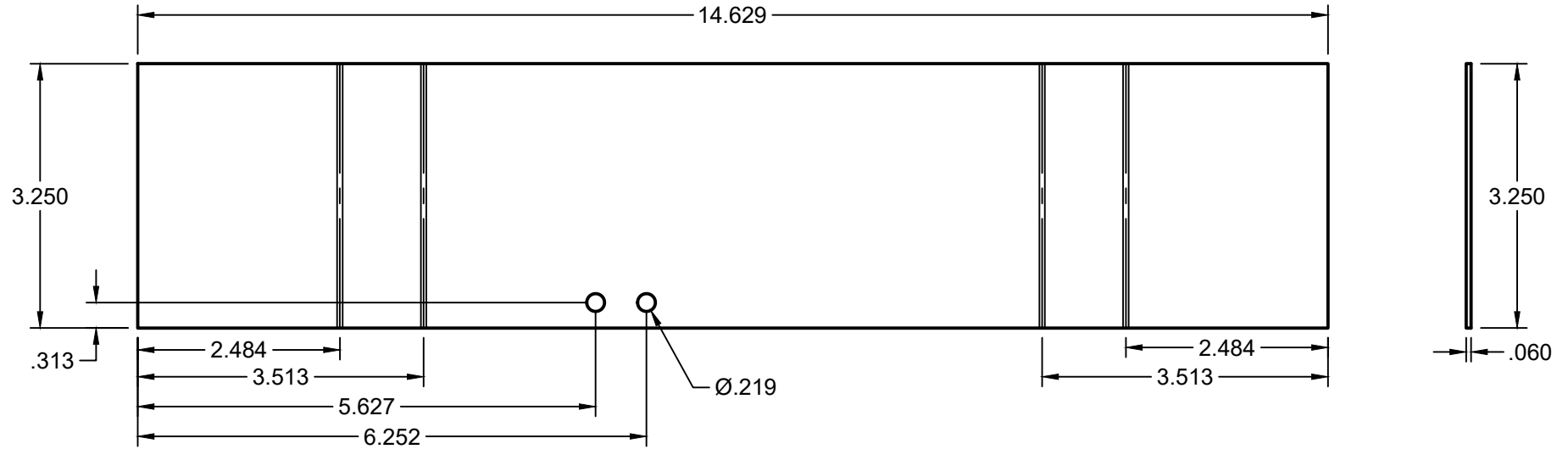


| | | | | | |
|-----------------|------|--|---|---------------------|-----------------------------------|
| Revision Record | Date | | Tolerances <small>(except as noted) Decimals: +/- .005 except where noted Fractional: +/- 1/32 Angular: +/- 1°</small> | Date: 10/10/2022 | Part Number: CP 2A |
| | | | | Scale: 1:2 | Title: Top Side Bent |
| | | | | Drawn By: NIT | Project Name: Pearling Machine |

Material: 16 ga Steel

Number Required: 1

Process Notes:



Revision Record

Date

Tolerances

Date:

10/10/2022

Part Number:

CP 2

(except as noted)
Decimals:
+/- .005 except where noted
Fractional:
+/- $\frac{1}{32}$
Angular:
+/- 1°

Scale:

1:2

Title:

Top Side

Drawn By:

NIT

Project Name:

Pearling Machine