

Material:

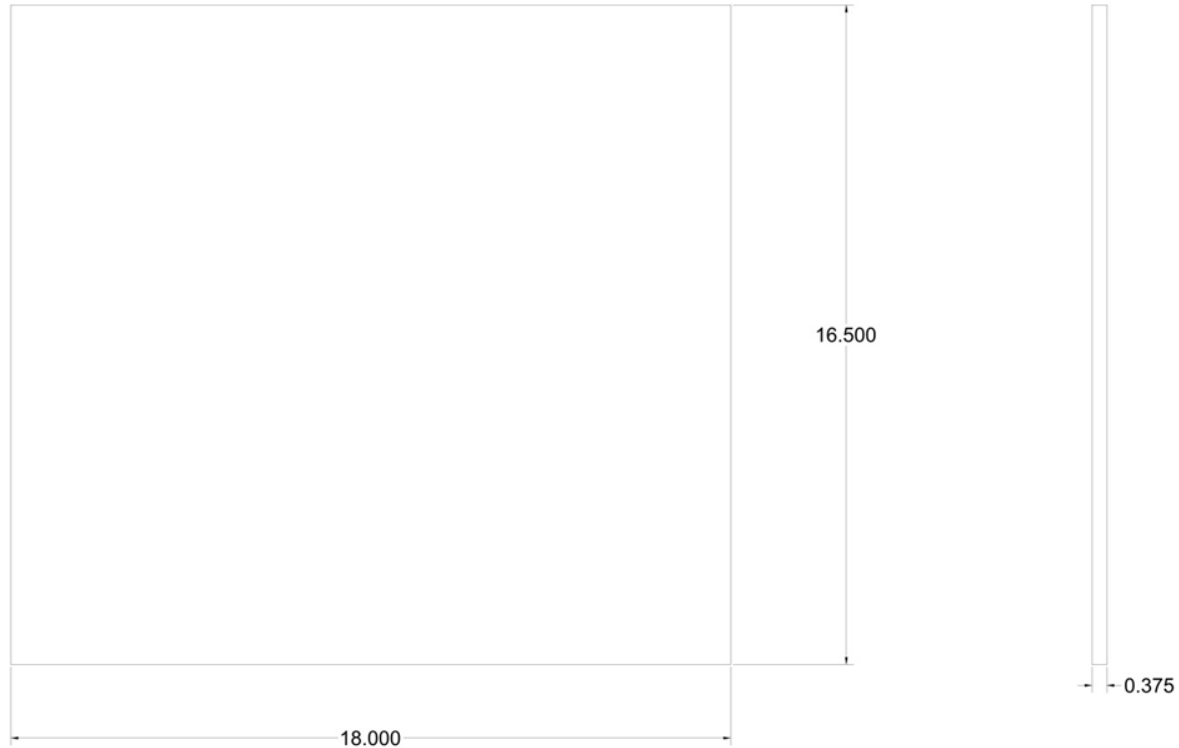
3/8" Plate

Number Required:

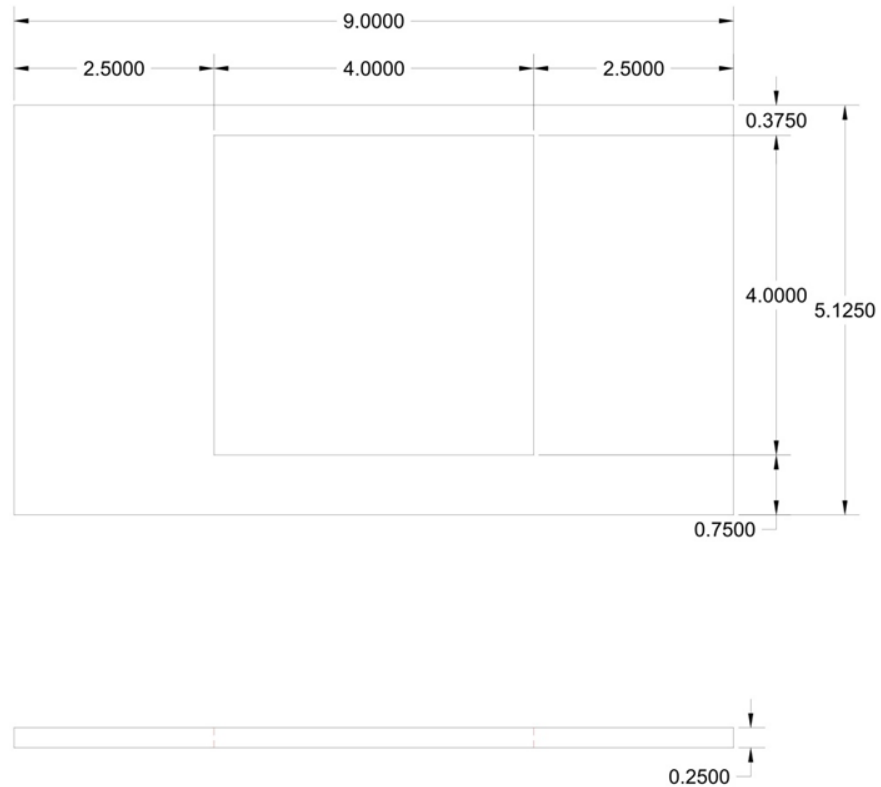
1

Process Notes:

Plasma Cut Perimeter



| | | | | | | | |
|-----|-----------------|------|---|-----------|---------|---------------|----------------|
| Sym | Revision Record | Date | Tolerances (Except as noted) Decimals: .xxx +/- .005" Fractional: .xx +/- 1/32" Angular +/- 1° | Date: | 1/13/12 | Part Number: | 12001 |
| | | | | Scale: | 1/4 | Title: | Back Plate |
| | | | | Drawn By: | NIT | Project Name: | Spelt Dehuller |



Sym

Revision Record

Date

Tolerances

(Except as noted)

Decimals:

.xxx +/- .005"

Fractional:

.xx +/- 1/32"

Angular +/- 1°

Date:

1/18/12

Scale:

1/2

Drawn By:

NIT

Part Number:

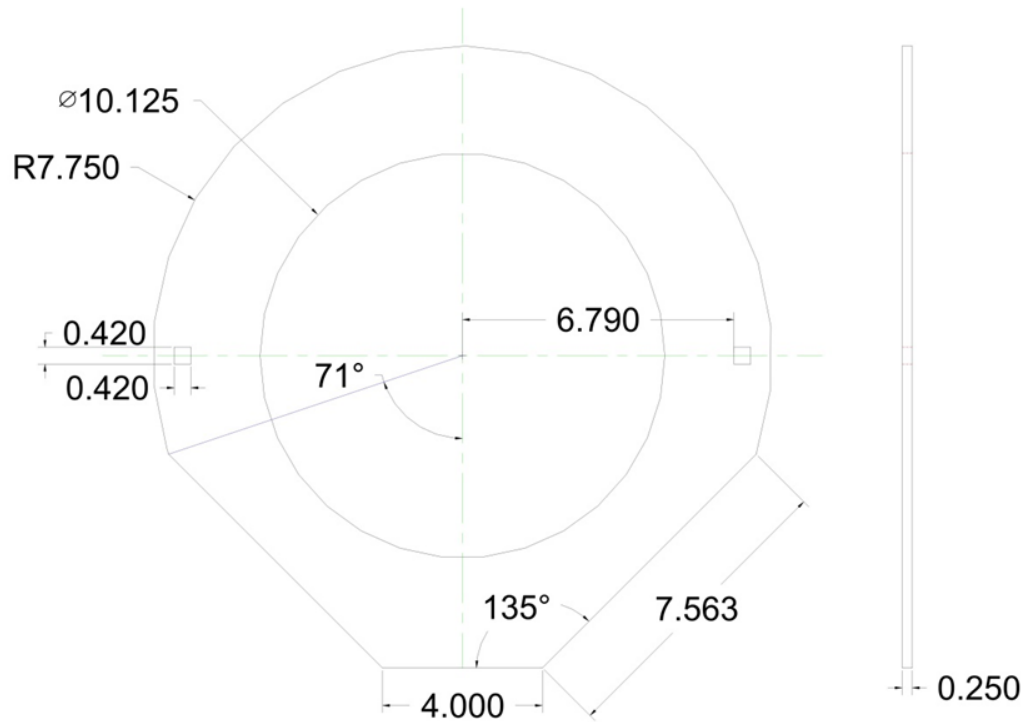
12003

Title:

Aspirator Mount

Project Name:

Spelt Dehuller



Sym

Revision Record

Date

Tolerances

(Except as noted)

Decimals:

.xxx +/- .005"

Fractional:

.xx +/- 1/32"

Angular +/- 1°

Date:

1/25/12

Part Number:

12011

Scale:

1/4

Title:

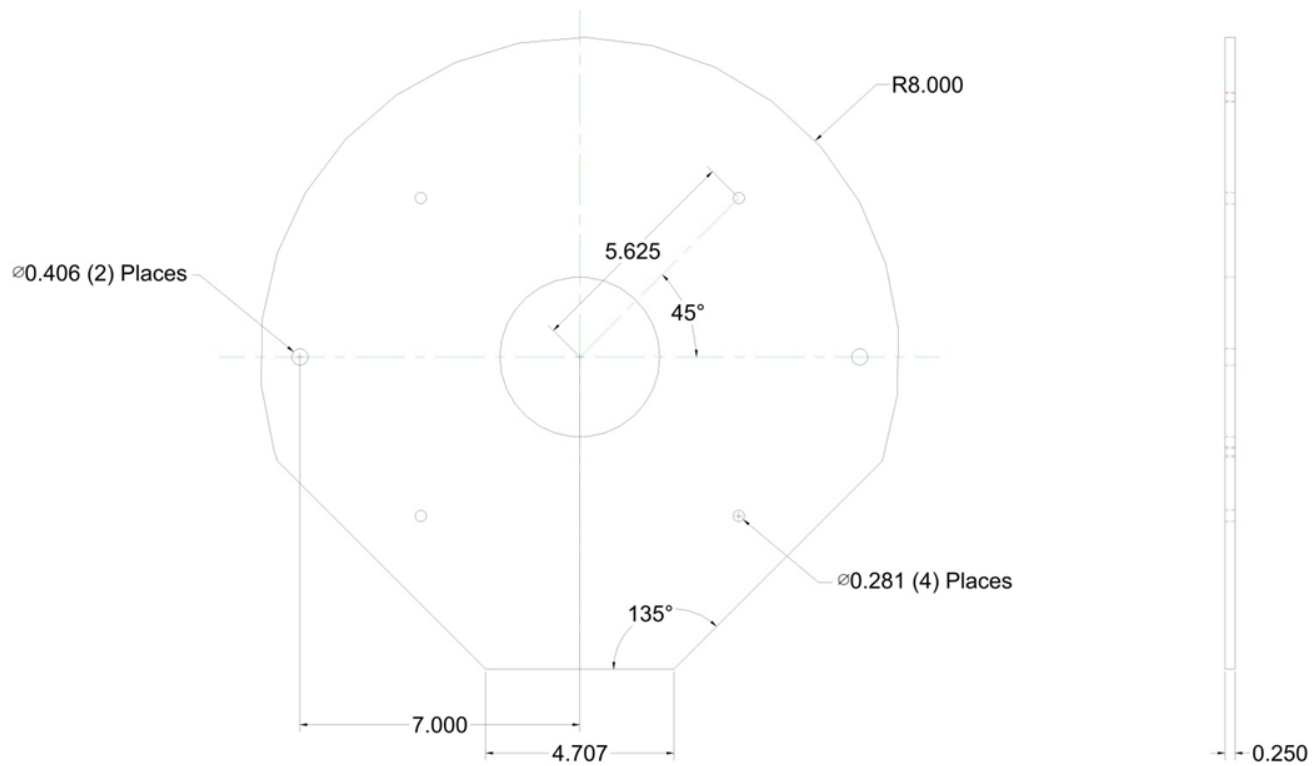
Front Screen Holder

Drawn By:

NIT

Project Name:

Spelt Dehuller



Sym

Revision Record

Date

Tolerances

(Except as noted)

Decimals:
.xxx +/- .005"Fractional:
.xx +/- 1/32"

Angular +/- 1°

Date:

7/29/12

Scale:

1/4

Drawn By:

NIT

Part Number:

12015

Title:

Front Cover

Project Name:

Spelt Dehuller