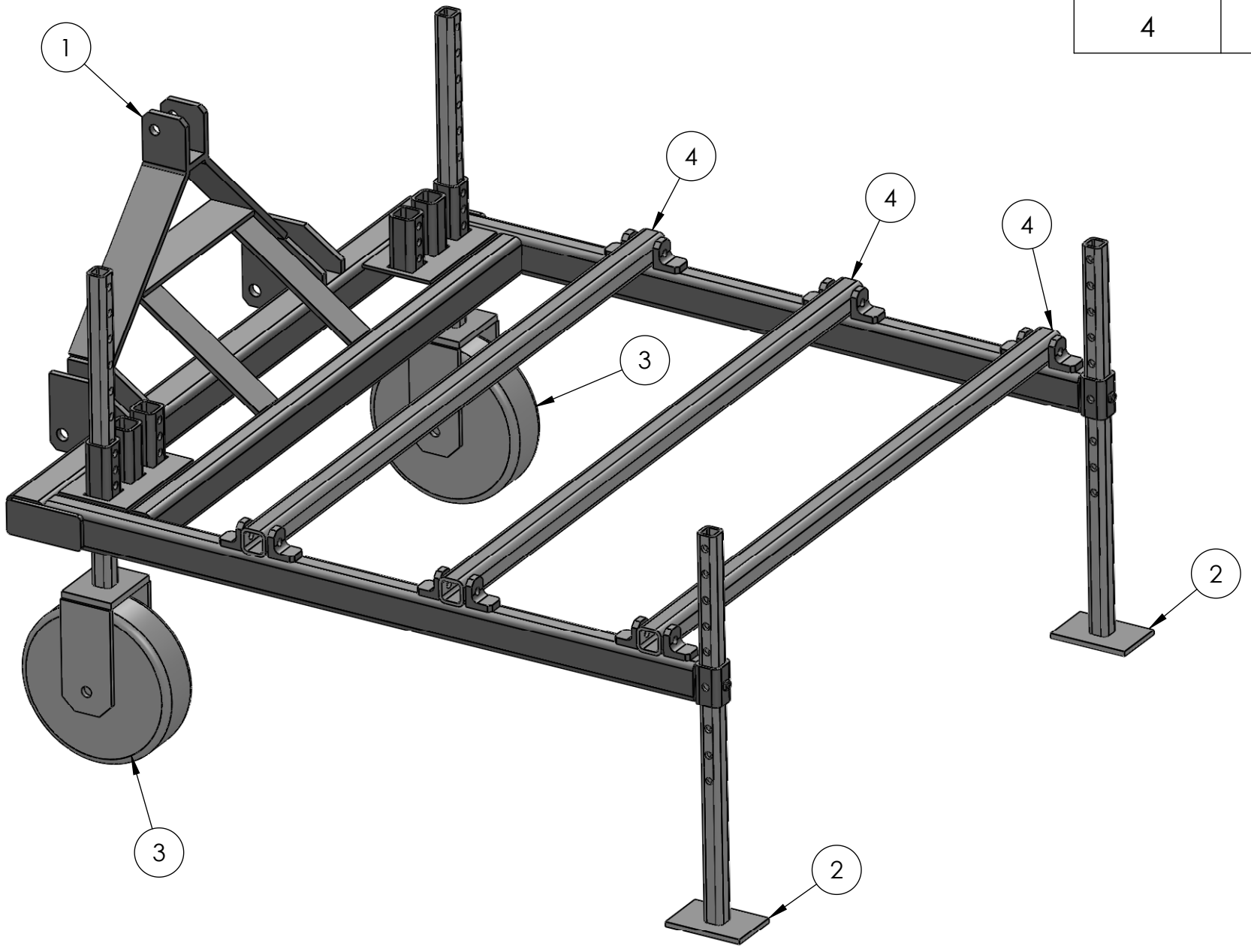


8 7 6 5 4 3 2 1

ITEM NO.	PART NUMBER	REV	DESCRIPTION	QTY
1	DAFS-F-001-1	B	FRAME WELDMENT	1
2	DAFS-F-02		SUPPORT FOOT ASSEMBLY	2
3	DAFS-F-03		WHEEL ASSEMBLY	2
4	DAFS-F-04		ATTACHMENT BAR ASSEMBLY	3

D  
C  
B  
A



D  
C  
B  
A

**PROPRIETARY AND CONFIDENTIAL**  
 THE INFORMATION CONTAINED IN THIS DRAWING IS THE SOLE PROPERTY OF <INSERT COMPANY NAME HERE>. ANY REPRODUCTION IN PART OR AS A WHOLE WITHOUT THE WRITTEN PERMISSION OF <INSERT COMPANY NAME HERE> IS PROHIBITED.

		UNLESS OTHERWISE SPECIFIED:		NAME	DATE	TITLE: <b>MAIN FRAME ASSEMBLY</b>
		DIMENSIONS ARE IN INCHES	DRAWN	EWB	11/25/12	
		TOLERANCES: FRACTIONAL ± ANGULAR: MACH ± BEND ± TWO PLACE DECIMAL ± THREE PLACE DECIMAL ±	CHECKED			
		INTERPRET GEOMETRIC TOLERANCING PER:	ENG APPR.			
		MATERIAL	MFG APPR.			Q.A.
		FINISH	COMMENTS:			SIZE
NEXT ASSY	USED ON					DWG. NO.
APPLICATION		DO NOT SCALE DRAWING				<b>B</b>
						<b>DAFS-F-01</b>
						REV
						SCALE: 1:10
						WEIGHT:
						SHEET 1 OF 1

8 7 6 5 4 3 2 1