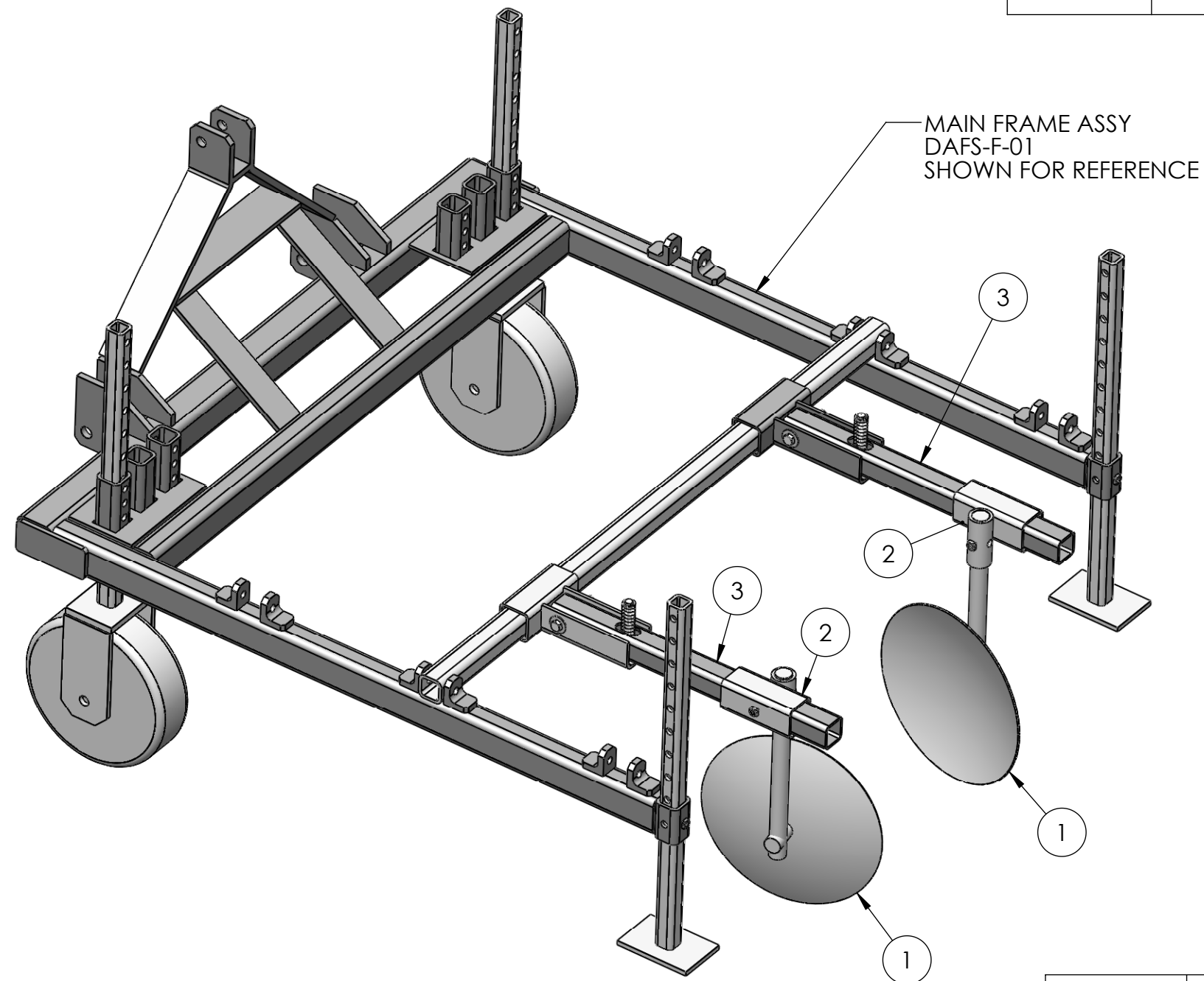


ITEM NO.	PART NUMBER	REV	DESCRIPTION	QTY.
1	AGRI 11676		DISC, 14"Ø X 16" SHANK	2
2	DAFS-C-02		SQUARE TO ROUND CONNECTOR ASSY	2
3	DAFS-C-03		SPRING ARM ASSEMBLY	2



**PROPRIETARY AND CONFIDENTIAL**  
 THE INFORMATION CONTAINED IN THIS DRAWING IS THE SOLE PROPERTY OF <INSERT COMPANY NAME HERE>. ANY REPRODUCTION IN PART OR AS A WHOLE WITHOUT THE WRITTEN PERMISSION OF <INSERT COMPANY NAME HERE> IS PROHIBITED.

		UNLESS OTHERWISE SPECIFIED:	NAME	DATE	TITLE: <b>DISC HILLER SYSTEM</b>	
		DIMENSIONS ARE IN INCHES	DRAWN	EWB		11/25/12
		TOLERANCES: FRACTIONAL ± ANGULAR: MACH ± BEND ± TWO PLACE DECIMAL ± THREE PLACE DECIMAL ±	CHECKED			
		INTERPRET GEOMETRIC TOLERANCING PER:	ENG APPR.			
		MATERIAL	MFG APPR.			
NEXT ASSY	USED ON	FINISH	Q.A.			
APPLICATION		DO NOT SCALE DRAWING	COMMENTS:			
SIZE	DWG. NO.	REV				
<b>B</b>	<b>DAFS-S-01</b>					
SCALE: 1:10		WEIGHT:	SHEET 1 OF 1			