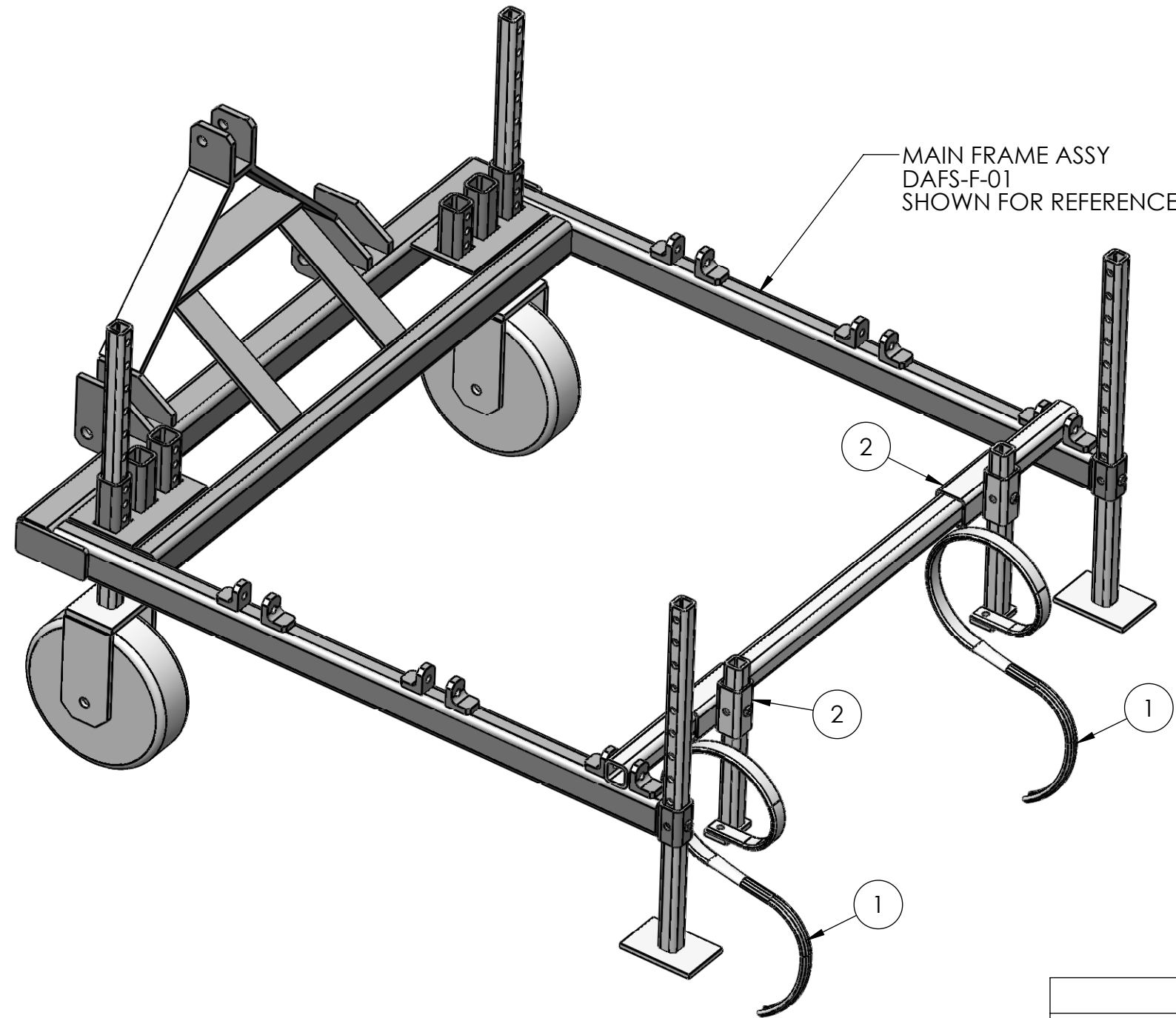


ITEM NO.	PART NUMBER	REV	DESCRIPTION	QTY.
1	DAFS-A-02		'S' TINE ASSEMBLY	2
2	DAFS-C-01		SQUARE TO SQUARE CONNECTOR	2



**PROPRIETARY AND CONFIDENTIAL**  
THE INFORMATION CONTAINED IN THIS DRAWING IS THE SOLE PROPERTY OF <INSERT COMPANY NAME HERE>. ANY REPRODUCTION IN PART OR AS A WHOLE WITHOUT THE WRITTEN PERMISSION OF <INSERT COMPANY NAME HERE> IS PROHIBITED.

		UNLESS OTHERWISE SPECIFIED:	NAME	DATE		
		DIMENSIONS ARE IN INCHES	DRAWN	EWB	11/25/12	TITLE: <b>'S' TINE SYSTEM</b>
		TOLERANCES:	CHECKED			
		FRACTIONAL ±	ENG APPR.			
		ANGULAR: MACH ± BEND ±	MFG APPR.			
		TWO PLACE DECIMAL ±	Q.A.			SIZE DWG. NO. REV <b>B DAFS-S-03</b>
		THREE PLACE DECIMAL ±	COMMENTS:			
NEXT ASSY	USED ON	FINISH				
APPLICATION		DO NOT SCALE DRAWING	SCALE: 1:10 WEIGHT: SHEET 1 OF 1			