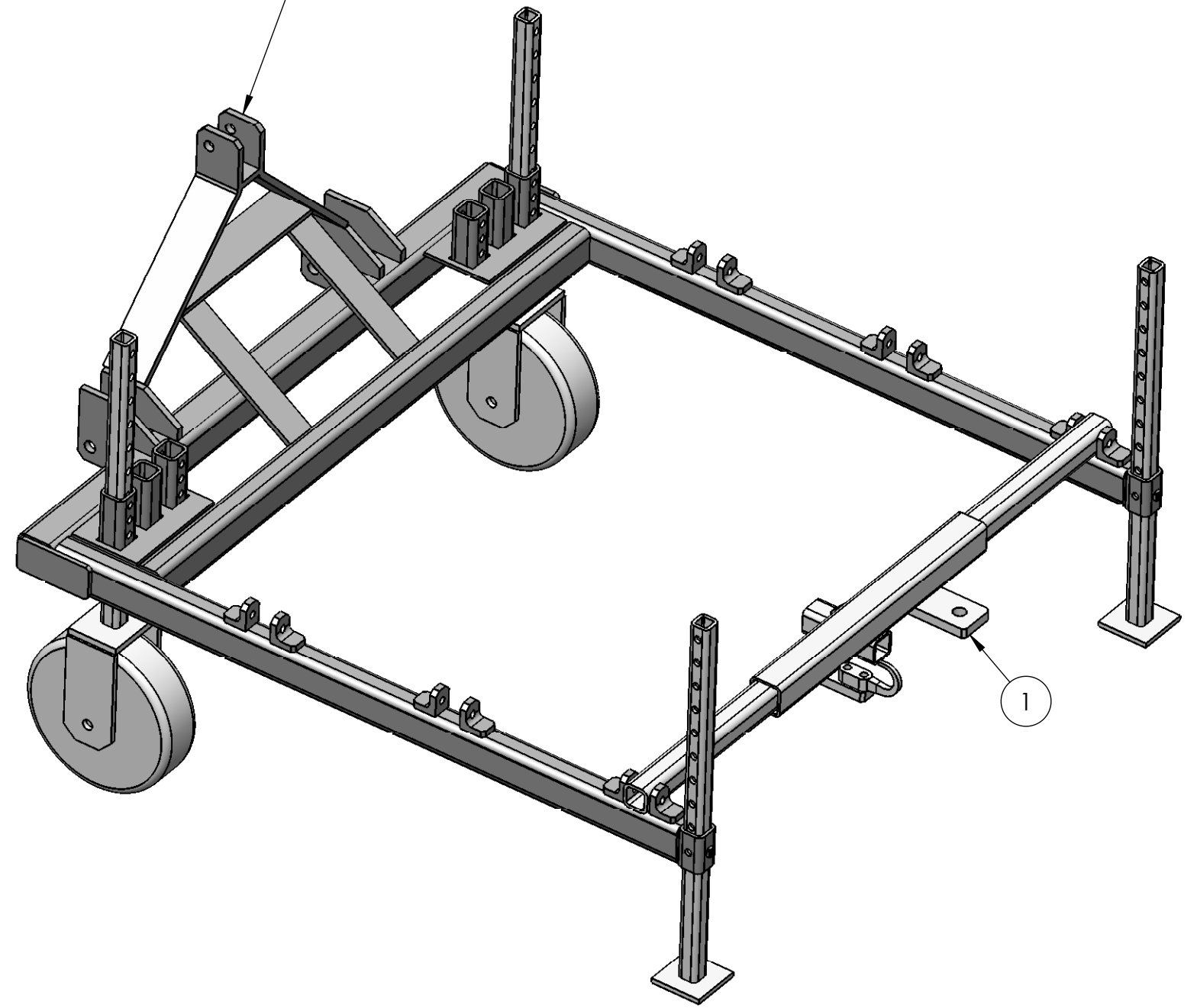


ITEM NO.	PART NUMBER	REV	DESCRIPTION	QTY.
1	DAFS-A-04		TOW HOOK ATTACHMENT	1

MAIN FRAME ASSY  
DAFS-F-01  
SHOWN FOR REFERENCE



**PROPRIETARY AND CONFIDENTIAL**  
THE INFORMATION CONTAINED IN THIS DRAWING IS THE SOLE PROPERTY OF <INSERT COMPANY NAME HERE>. ANY REPRODUCTION IN PART OR AS A WHOLE WITHOUT THE WRITTEN PERMISSION OF <INSERT COMPANY NAME HERE> IS PROHIBITED.

		UNLESS OTHERWISE SPECIFIED:		NAME	DATE
		DIMENSIONS ARE IN INCHES TOLERANCES: FRACTIONAL ± ANGULAR: MACH ± BEND ± TWO PLACE DECIMAL ± THREE PLACE DECIMAL ±		DRAWN	EWB 11/25/12
		INTERPRET GEOMETRIC TOLERANCING PER:		CHECKED	
		MATERIAL		ENG APPR.	
		FINISH		MFG APPR.	
NEXT ASSY	USED ON			Q.A.	
APPLICATION		DO NOT SCALE DRAWING		COMMENTS:	
TITLE: <b>TOW HOOK SYSTEM</b>					
SIZE	DWG. NO.	REV			
<b>B</b>	<b>DAFS-S-05</b>				
SCALE: 1:10			WEIGHT:	SHEET 1 OF 1	