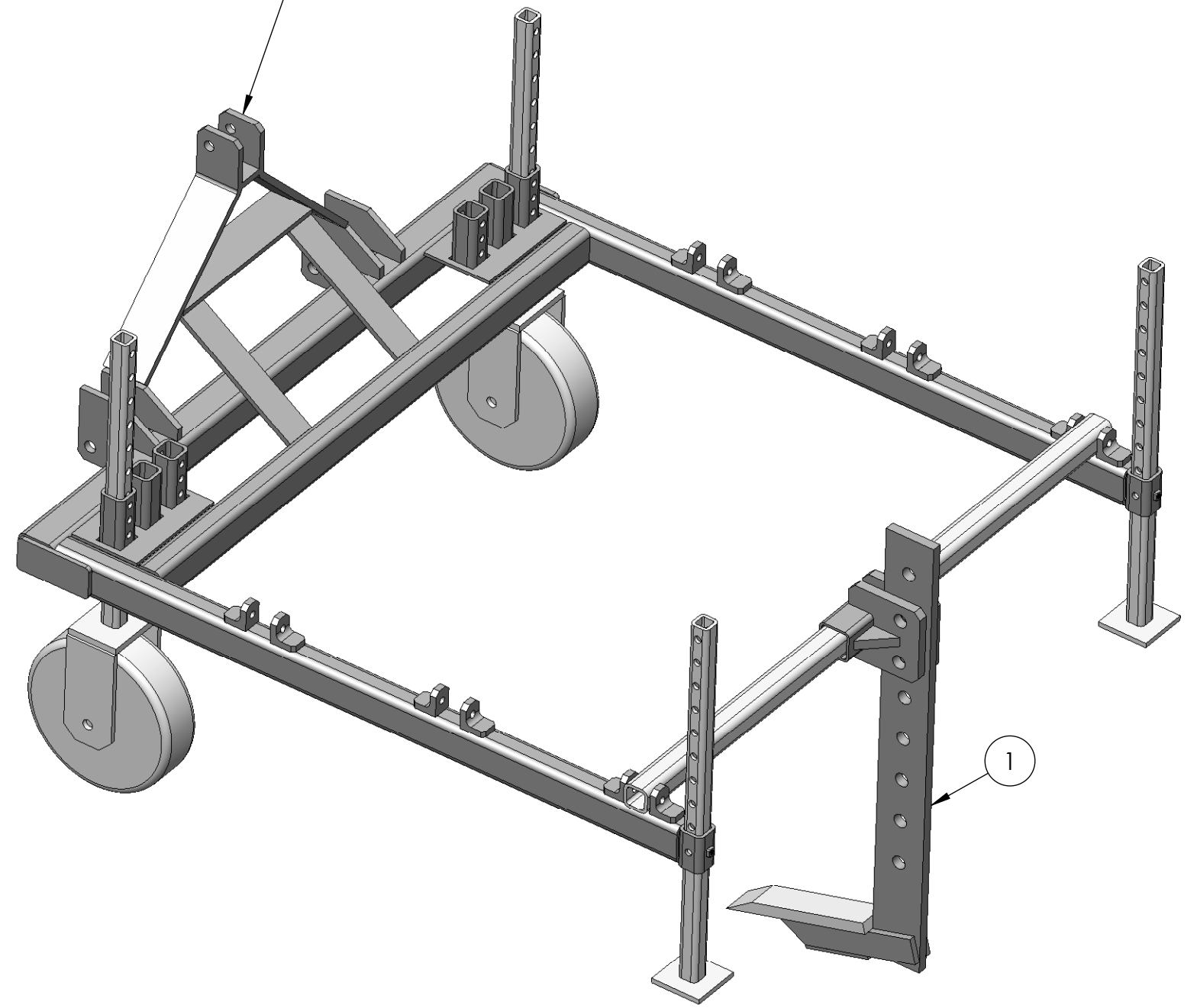


8 7 6 5 4 3 2 1

ITEM NO.	PART NUMBER	REV	DESCRIPTION	QTY.
1	DAFS-A-06		SUB SOILER ATTACHMENT	1

MAIN FRAME ASSY
DAFS-F-01
SHOWN FOR REFERENCE



D
C
B
A

D
C
B
A

PROPRIETARY AND CONFIDENTIAL
THE INFORMATION CONTAINED IN THIS DRAWING IS THE SOLE PROPERTY OF <INSERT COMPANY NAME HERE>. ANY REPRODUCTION IN PART OR AS A WHOLE WITHOUT THE WRITTEN PERMISSION OF <INSERT COMPANY NAME HERE> IS PROHIBITED.

		UNLESS OTHERWISE SPECIFIED:		NAME	DATE	TITLE: SUB SOILER SYSTEM
		DIMENSIONS ARE IN INCHES TOLERANCES: FRACTIONAL ± ANGULAR: MACH ± BEND ± TWO PLACE DECIMAL ± THREE PLACE DECIMAL ±		DRAWN	EWB 11/25/12	
		INTERPRET GEOMETRIC TOLERANCING PER:		CHECKED		
		MATERIAL		ENG APPR.		
NEXT ASSY	USED ON	FINISH		MFG APPR.		Q.A.
APPLICATION		DO NOT SCALE DRAWING		COMMENTS:		SIZE
						DWG. NO.
						B
						DAFS-S-07
						REV
						SCALE: 1:10
						WEIGHT:
						SHEET 1 OF 1

8 7 6 5 4 3 2 1