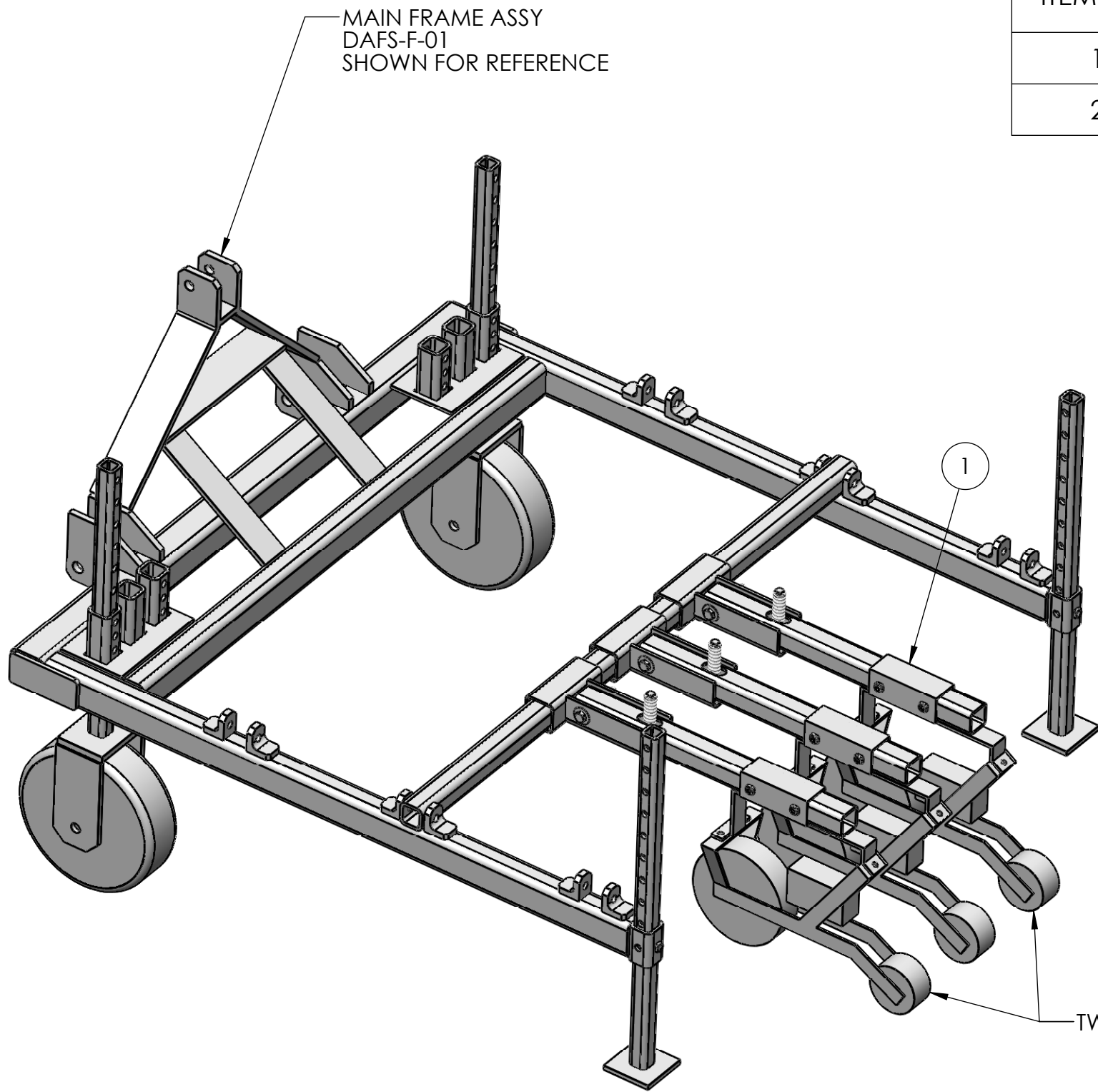


8 7 6 5 4 3 2 1

ITEM NO.	PART NUMBER	REV	DESCRIPTION	QTY.
1	DAFS-A-09		SEEDER ATTACHMENT	1
2	DAFS-C-03		SPRING ARM ASSEMBLY	1

D  
C  
B  
A



TWO ADDITIONAL SEEDER SYSTEM SHOWN FOR REFERENCE ONLY

**PROPRIETARY AND CONFIDENTIAL**  
 THE INFORMATION CONTAINED IN THIS DRAWING IS THE SOLE PROPERTY OF <INSERT COMPANY NAME HERE>. ANY REPRODUCTION IN PART OR AS A WHOLE WITHOUT THE WRITTEN PERMISSION OF <INSERT COMPANY NAME HERE> IS PROHIBITED.

		UNLESS OTHERWISE SPECIFIED:		NAME	DATE	TITLE: <b>SEEDER SYSTEM</b>
		DIMENSIONS ARE IN INCHES	DRAWN	EWB	11/25/12	
		TOLERANCES: FRACTIONAL ± ANGULAR: MACH ± BEND ± TWO PLACE DECIMAL ± THREE PLACE DECIMAL ±	CHECKED			
		INTERPRET GEOMETRIC TOLERANCING PER:	ENG APPR.			
		MATERIAL	MFG APPR.			SIZE DWG. NO. REV <b>B DAFS-S-09</b>
NEXT ASSY	USED ON	FINISH	Q.A.			
APPLICATION		DO NOT SCALE DRAWING	COMMENTS:			SCALE: 1:10 WEIGHT: SHEET 1 OF 1

8 7 6 5 4 3 2 1