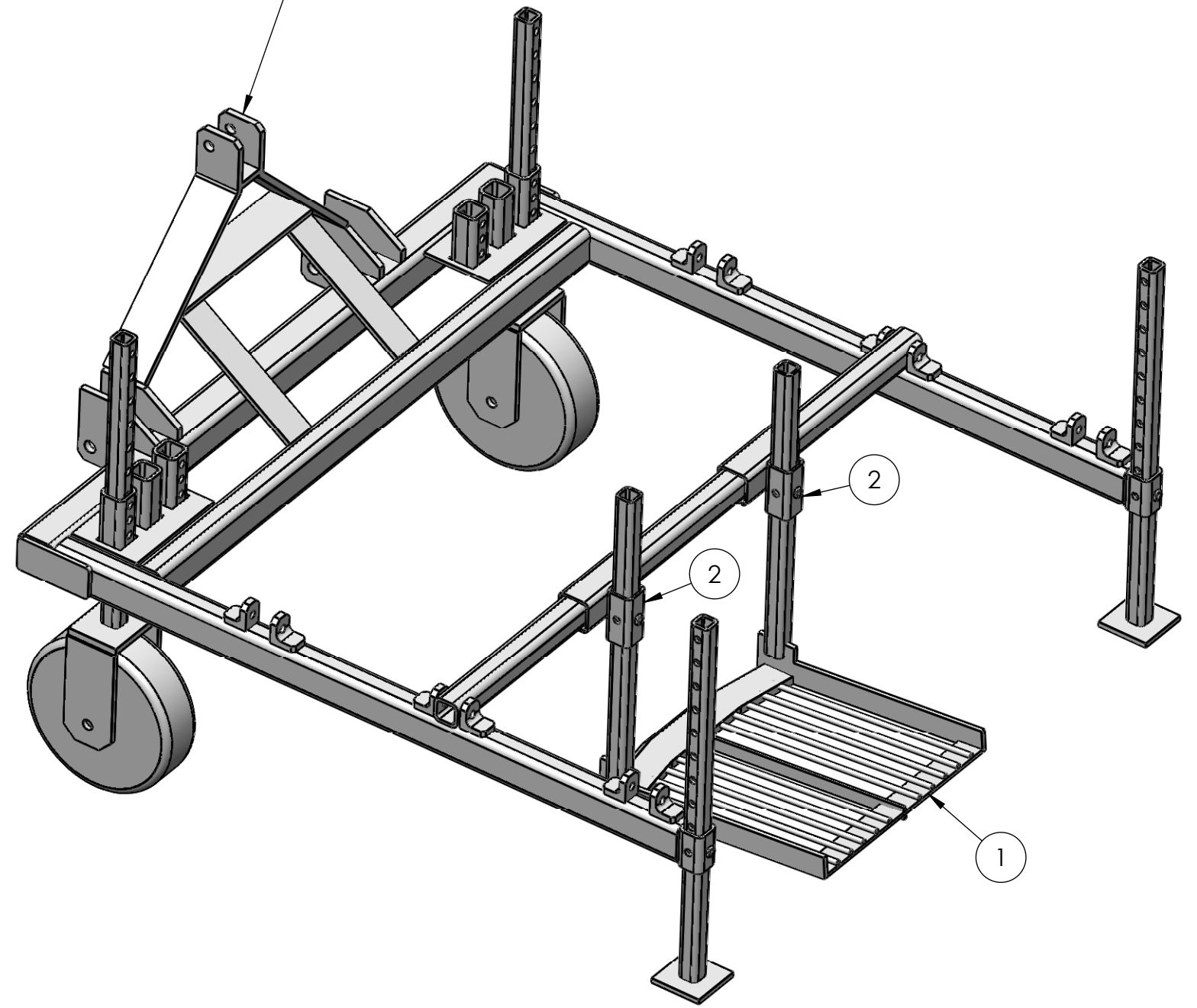


8 7 6 5 4 3 2 1

ITEM NO.	PART NUMBER	REV	DESCRIPTION	QTY.
1	DAFS-A-013-1		ROOT DIGGER ATTACHMENT	1
2	DAFS-C-001-1		SQUARE TO SQUARE CONNECTOR	2

MAIN FRAME ASSY  
DAFS-F-01  
SHOWN FOR REFERENCE



D  
C  
B  
A

D  
C  
B  
A

**PROPRIETARY AND CONFIDENTIAL**  
THE INFORMATION CONTAINED IN THIS DRAWING IS THE SOLE PROPERTY OF <INSERT COMPANY NAME HERE>. ANY REPRODUCTION IN PART OR AS A WHOLE WITHOUT THE WRITTEN PERMISSION OF <INSERT COMPANY NAME HERE> IS PROHIBITED.

		UNLESS OTHERWISE SPECIFIED:	NAME	DATE	TITLE: <b>ROOT DIGGER SYSTEM</b>	
		DIMENSIONS ARE IN INCHES	DRAWN	EWB		11/25/12
		TOLERANCES:	CHECKED			
		FRACTIONAL ±	ENG APPR.			
		ANGULAR: MACH ± BEND ±	MFG APPR.			
		TWO PLACE DECIMAL ±	Q.A.			
		THREE PLACE DECIMAL ±	COMMENTS:			
		INTERPRET GEOMETRIC TOLERANCING PER:				
		MATERIAL				
NEXT ASSY	USED ON	FINISH	SIZE DWG. NO. REV			
APPLICATION		DO NOT SCALE DRAWING	<b>B</b> <b>DAFS-S-12</b>			
			SCALE: 1:10	WEIGHT:	SHEET 1 OF 1	

8 7 6 5 4 3 2 1