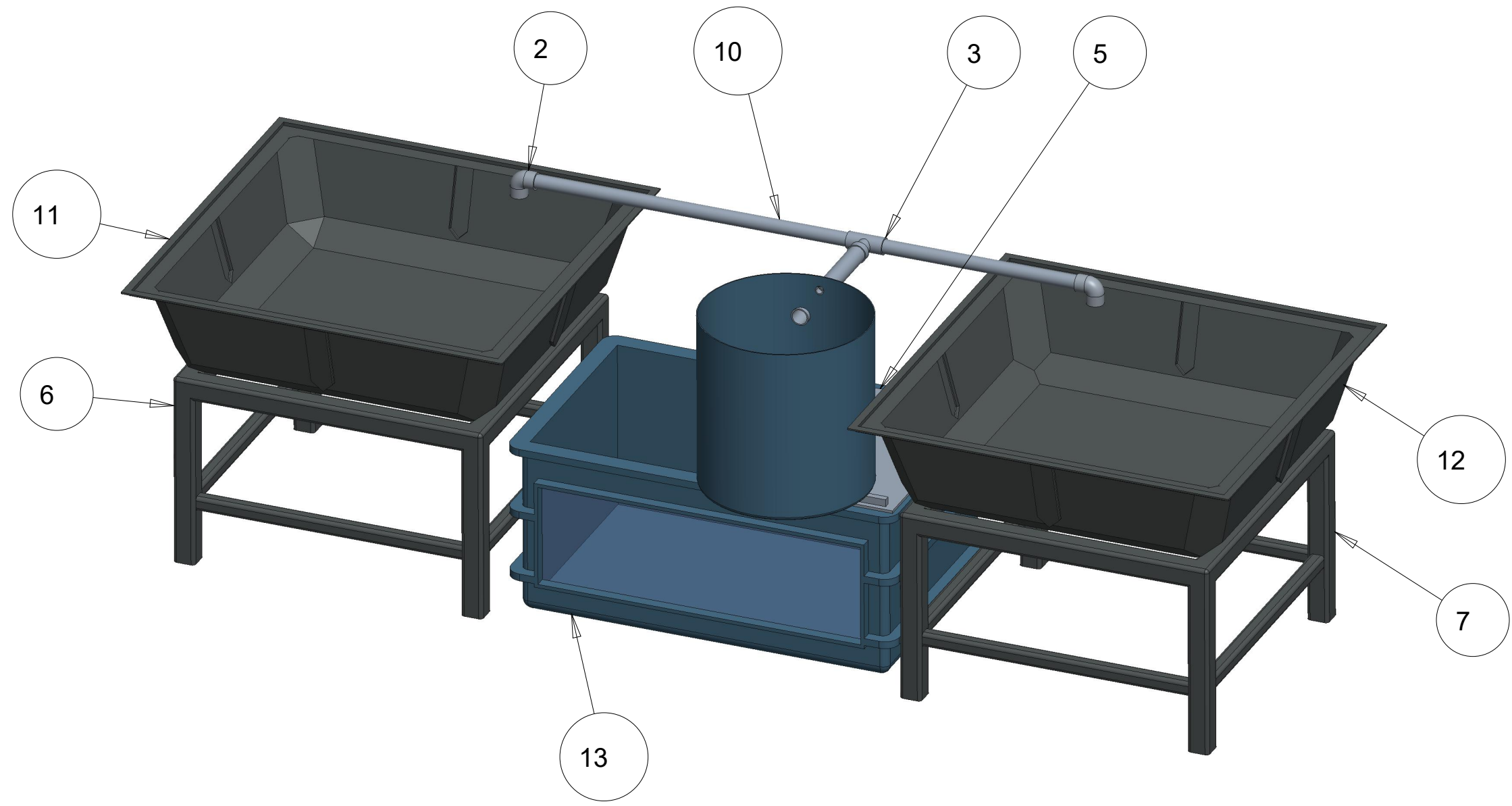
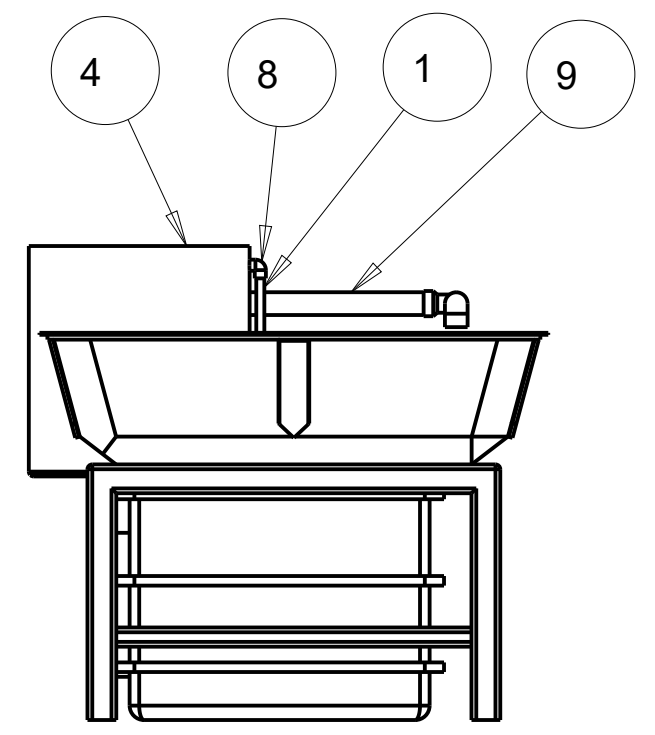
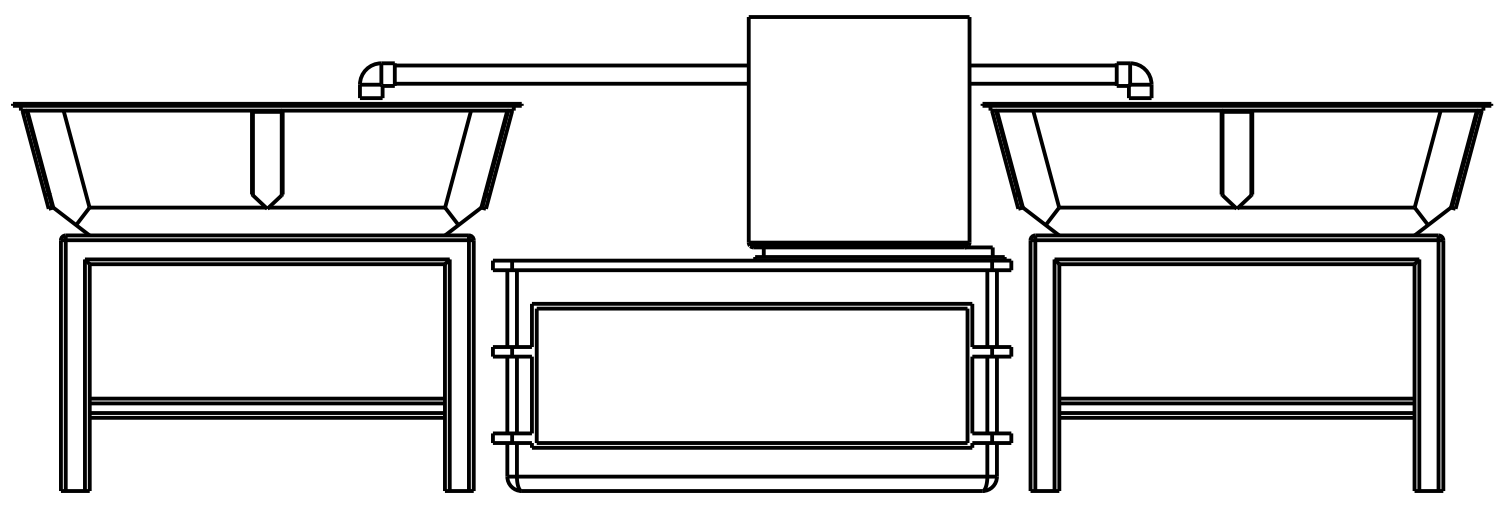
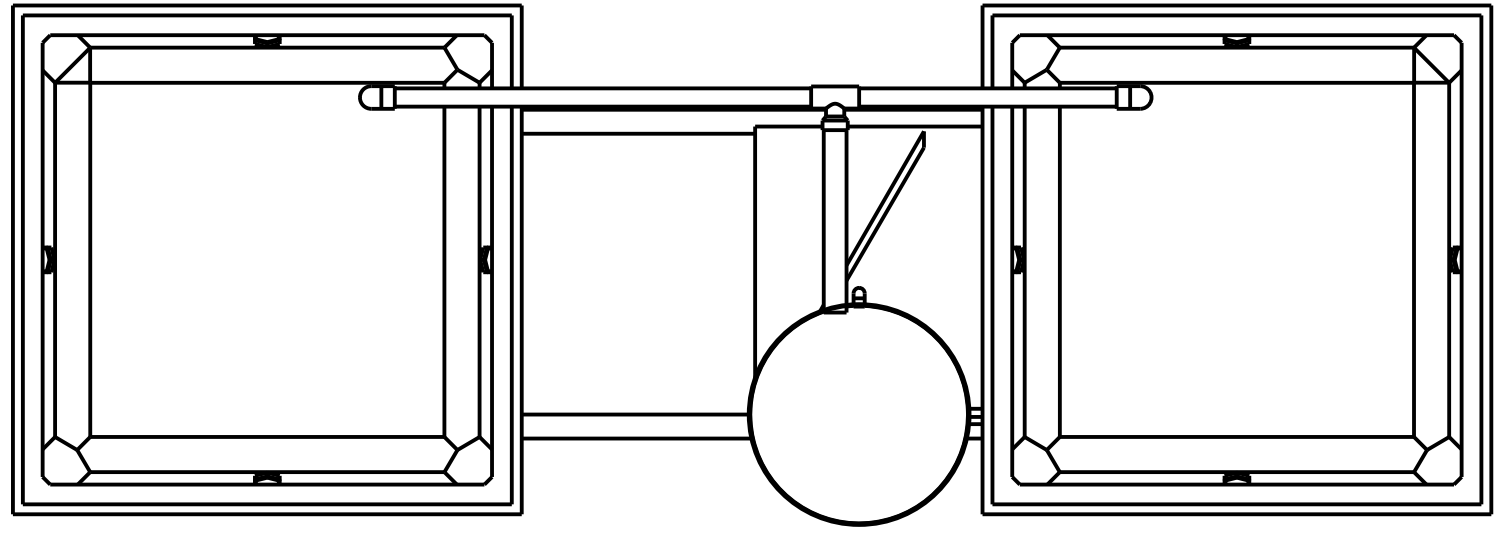


1                      2                      3                      4                      5                      6                      7                      8                      9

ITEM	PART NUMBER	QTY.
1	0_5IN_PVC	1
2	1.5 IN ELBOW (1.5IN ELBOW)	2
3	2IN_1-5IN_JOINT	1
4	BARREL	1
5	BARREL-BASE	1
6	BASE_FRAME	1
7	BASE_FRAME_2	1
8	NEW_HALFFINCH_ELLOW	1
9	PVC-PIPE_2IN_19_3125	1
10	PVC-PIPE_71_625	1
11	ROCK_BASIN	1
12	ROCK_BASIN_2	1
13	WATER_BASIN	1



PICTORIAL VIEW  
SCALE 0.060

GENERAL TOLERANCES UNLESS NOTED		
.XXX	.XX	ANGLES
0.001	0.01	0.50
DRAWN	DATE	
Michael Hall	Mar-08-21	
CHECKED	DATE	
-		
APPROVED	DATE	
STUGKER		

<b>WDT</b> WESTERN DAKOTA TECH		
MODEL <b>EAST_M_S_- AQUAPONICS</b>		
SIZE <b>C</b>	DRAWING NAME <b>AQUAPONICS</b>	
SCALE 0.050	TYPE ASSEM	SHEET 1/4

A

B

C

D

E

F

G

1 2 3 4 5 6 7 8 9

A

B

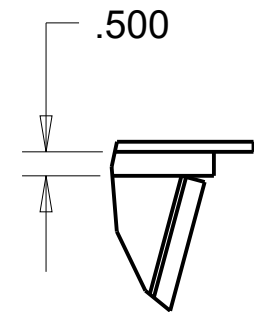
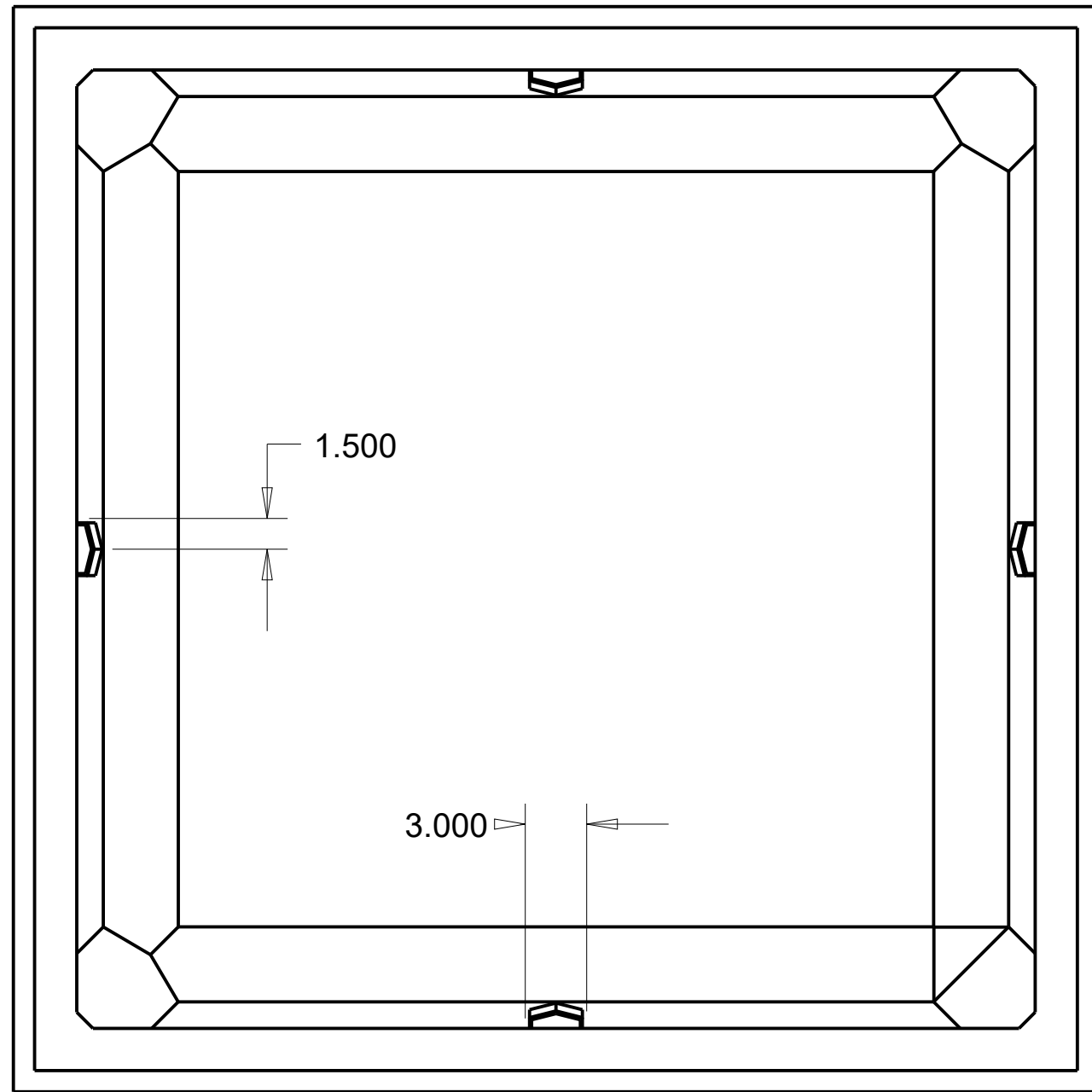
C

D

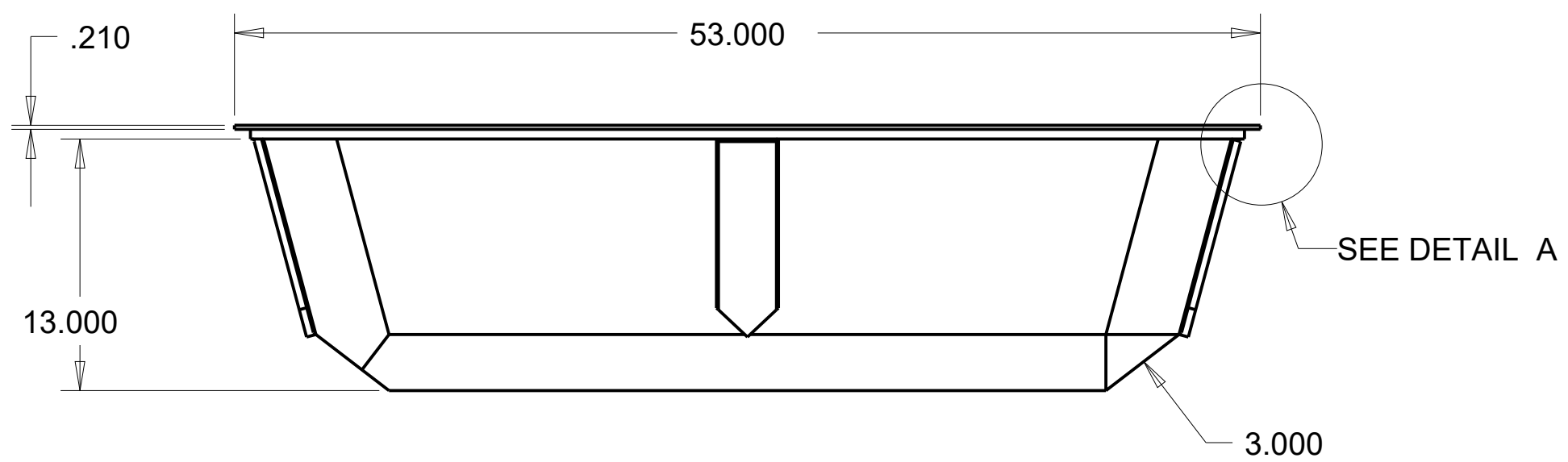
E

F

G

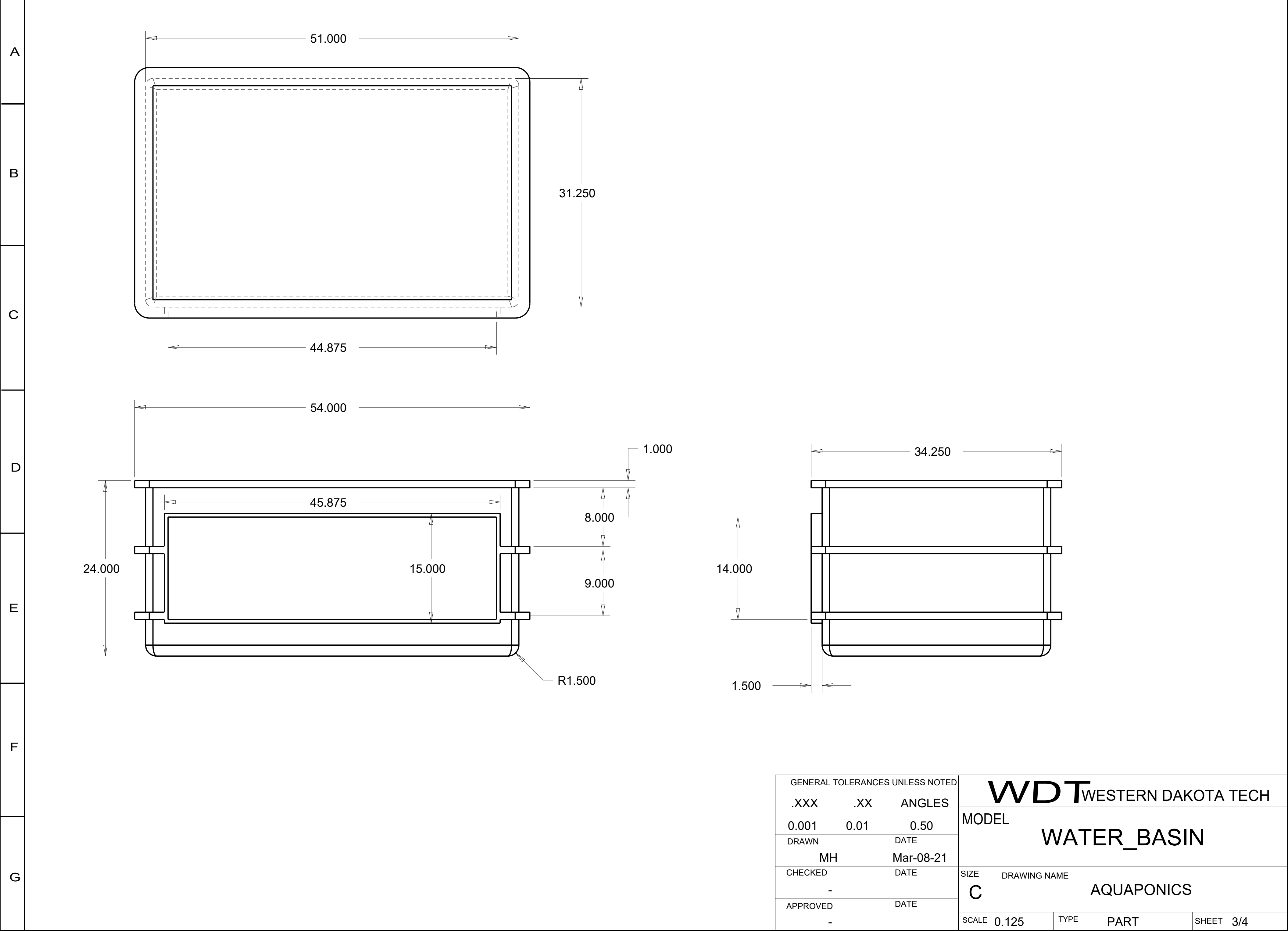


DETAIL A  
SCALE 0.250



GENERAL TOLERANCES UNLESS NOTED	
.XXX	.XX
0.001	0.01
DRAWN	DATE
MH	Mar-08-21
CHECKED	DATE
-	-
APPROVED	DATE
-	-

<b>WDT</b> WESTERN DAKOTA TECH	
MODEL	ROCK_BASIN
SIZE	DRAWING NAME
<b>C</b>	AQUAPONICS
SCALE 0.125	TYPE PART
	SHEET 2/4



GENERAL TOLERANCES UNLESS NOTED		
.XXX	.XX	ANGLES
0.001	0.01	0.50
DRAWN	DATE	
MH	Mar-08-21	
CHECKED	DATE	
-	-	
APPROVED	DATE	
-	-	

<b>WDT</b> WESTERN DAKOTA TECH		
MODEL		
<b>WATER_BASIN</b>		
SIZE	DRAWING NAME	
<b>C</b>	<b>AQUAPONICS</b>	
SCALE	TYPE	PART
0.125	PART	SHEET 3/4

1 2 3 4 5 6 7 8 9

A

B

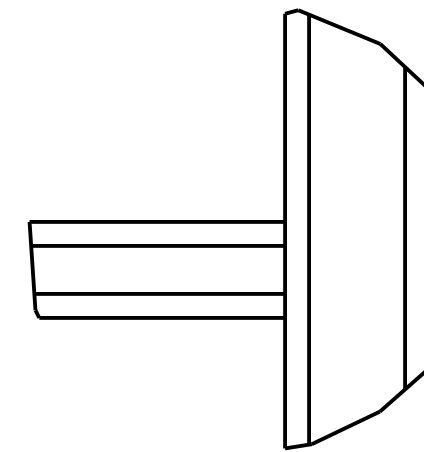
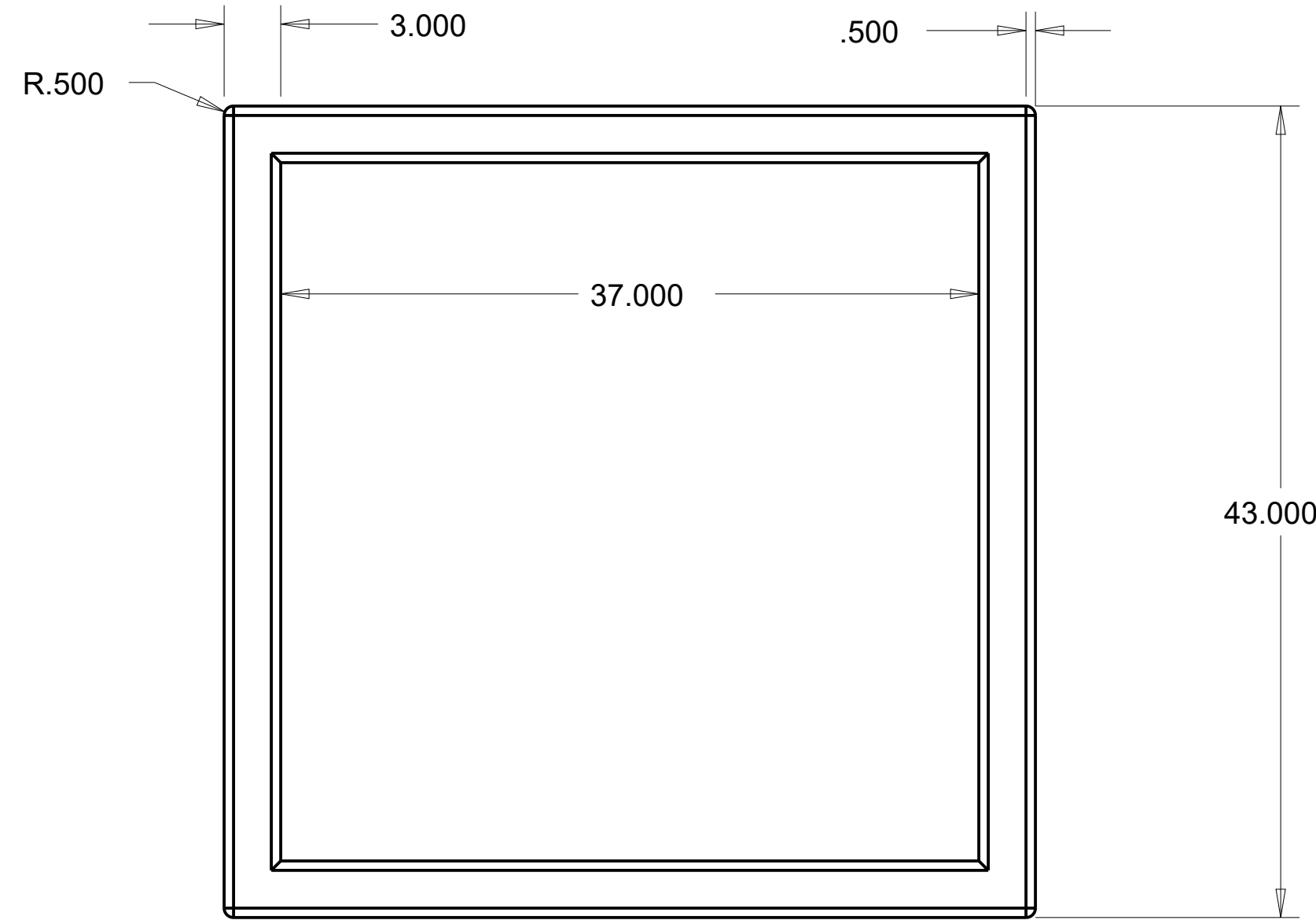
C

D

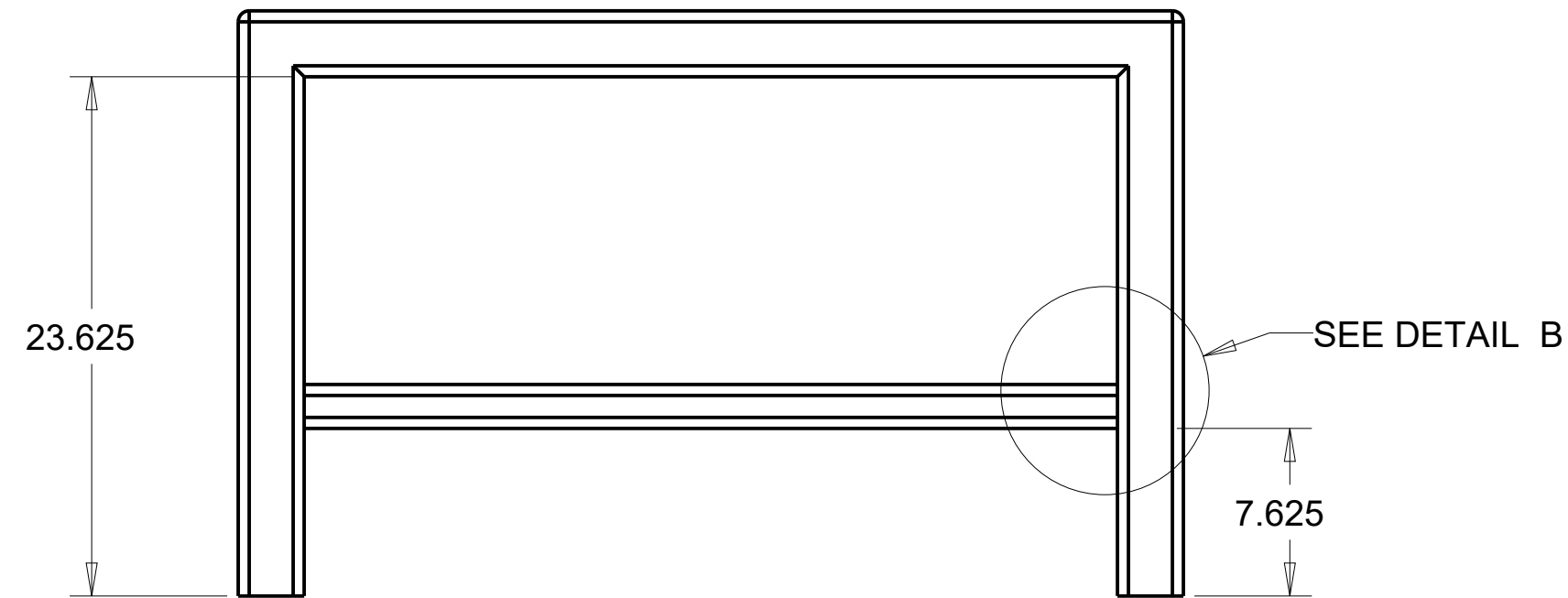
E

F

G



DETAIL B  
SCALE 0.250



GENERAL TOLERANCES UNLESS NOTED

.XXX	.XX	ANGLES
0.001	0.01	0.50

DRAWN	DATE
MH	Mar-08-21

CHECKED	DATE
-	

APPROVED	DATE
-	

**WDT** WESTERN DAKOTA TECH

MODEL  
**BASE\_FRAME**

SIZE	DRAWING NAME
<b>C</b>	<b>AQUAPONICS</b>

SCALE 0.125	TYPE PART	SHEET 4/4
-------------	-----------	-----------