

# Working Group to Address Food Deserts Through Urban Agriculture

**SARE PROJECT SUB0002031**

**PHILIP OMUNGA**

## Seminar, Networking, & Working Sessions

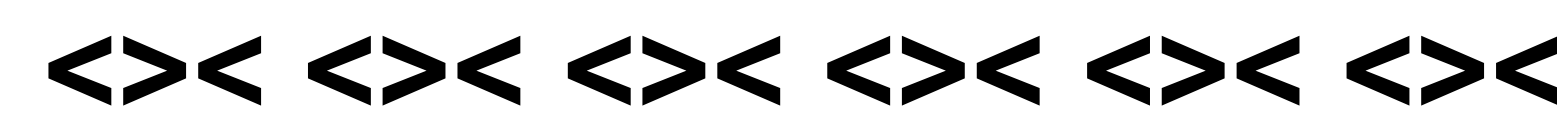
### Project Objectives

- Collect data on preferences and demand for locally sourced produce and fish
- Foster an environment in which key partnerships can be developed for production and distribution.
- Create opportunities for networking, training, and exchange between existing producers and scientists centered around modern aquaponics, urban waste management, composting and vermiculture, urban food deserts (UFDs), and business management with a legacy for continued partnership.
- Design and build a demonstration system at an elementary school in a Savannah UFD area to be used as an education and training tool with and by all invitees, participants, and stakeholders, including UFD residents.
- Lay groundwork for a future grower-centered SARE research proposal to deploy and cultivate these concepts.

### Anticipated Meeting Schedule

Scheduled Date	Times	Topic
Sun, 21 Mar	2-5 p.m.	Kick-Off: Meet-n-Greet the Team of Stakeholders
Sun, 11 Apr	2-5 p.m.	Modern Aquaponics Production
Sun, 18 Apr	2-5 p.m.	The Urban Agriculture Movement
Sun, 2 May	2-5 p.m.	Aquaponics & Urban Food Deserts
Sun, 16 May	2-5 p.m.	The Science of Aquaponics
Sun, 23 May/ 6 Jun	2-5 p.m.	The Urban Farm Business
Sun, 6 Jun/TBA	2-5 p.m.	Urban Land Availability, Access, and Security

**Outdoor Meeting Sessions at:**  
**Savannah State University's**  
**Marine Science Center**  
**2717 Livingston Ave.**  
**Savannah, GA 31406**

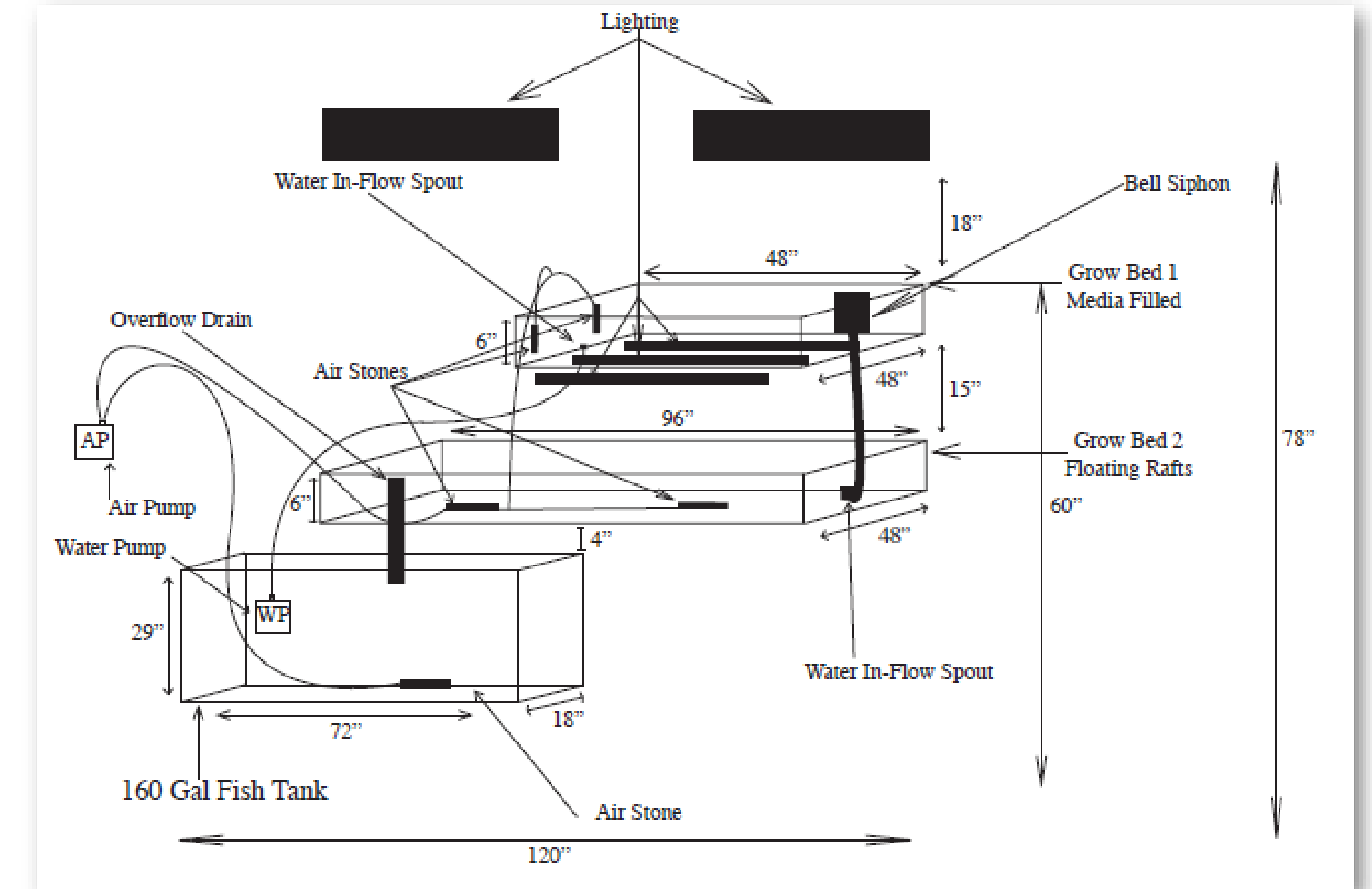


**Registration will be required.**



**Web-viewing:**  
**Link will be provided**

Schematic for Demonstration Modular Micro-Aquaponics System



### General Agenda Items & Activities

- △ Physically-distanced meet & greet
- △ Surveying
- △ Planning for collaborations
- △ Topic-specific working time in breakout groups with various stakeholders
- △ Demonstrations
- △ Informal networking time
- △ Discuss solutions to roadblocks
- △ Topic-specific seminar-style presentations
- △ Learning about policies and practices for improving food security by sustainable use of metropolitan vacant lands
- △ Sharing of best practices & resources for the business of urban farming

General information, contact: **Dr. Philip Omunga** Savannah State University [omungap@savannahstate.edu](mailto:omungap@savannahstate.edu) 912 358 3216

**Dr. Sue C. Ebanks** Savannah State University [ebankss@savannahstate.edu](mailto:ebankss@savannahstate.edu) 912 358 4430

For information on K-12 integration: **Dr. Victoria Young** Savannah State University [youngv@savannahstate.edu](mailto:youngv@savannahstate.edu) 912 358 4291