

## Pearling Machine Plans

# Hopper Assembly

Nigel Tudor  
Weatherbury Farm



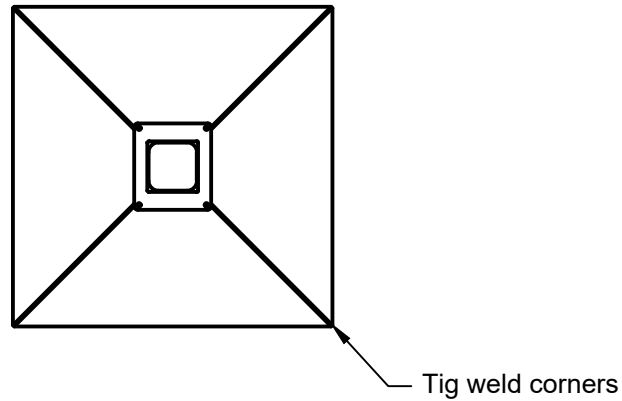
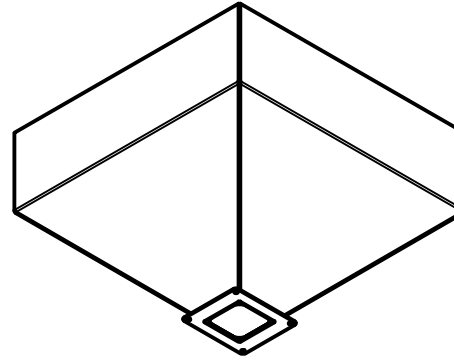
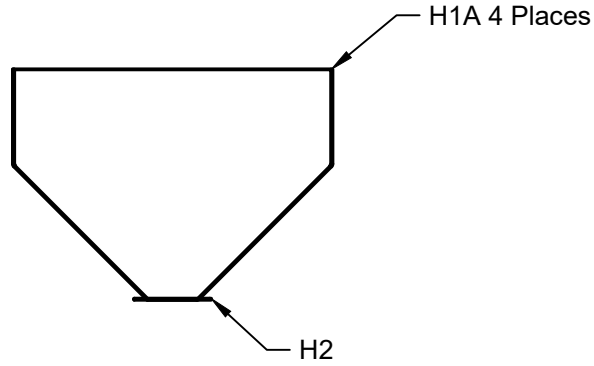
*This material is based upon work supported by the National Institute of Food and Agriculture, U.S. Department of Agriculture, through the Northeast Sustainable Agriculture Research and Education program under subaward number FNE19-945. Any opinions, findings, conclusions, or recommendations expressed in this publication are those of the author(s) and do not necessarily reflect the view of the U.S. Department of Agriculture.*

Project details found at [https://projects.sare.org/sare\\_project/fne19-945/](https://projects.sare.org/sare_project/fne19-945/)

Material: Assembly

Number Required: 1

Process Notes: Tig Welding

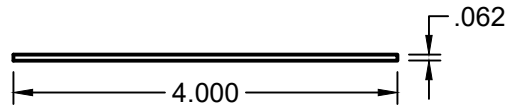
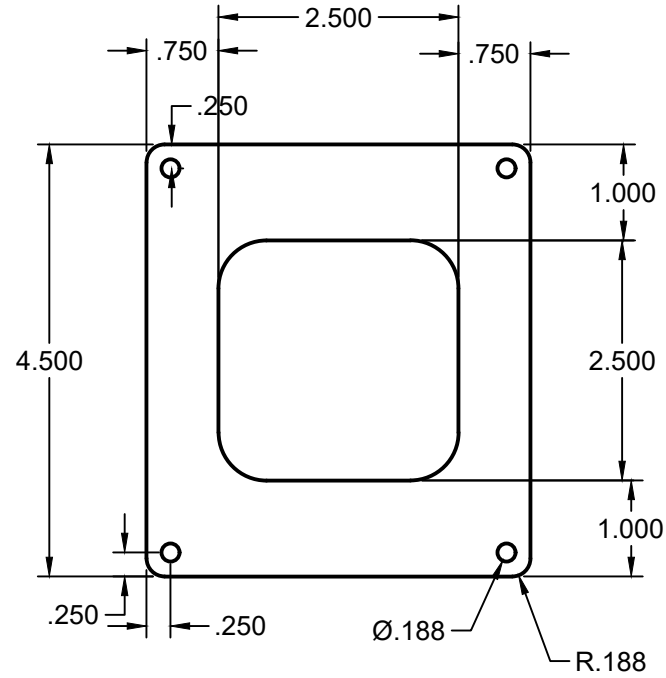


Revision Record	Date	Tolerances	Date:	Part Number:
		(except as noted) Decimals: +/- .005 except where noted Fractional: +/- 1/32 Angular: +/- 1°	9/11/2022	H3A
			Scale: 1:4	Title: Hopper Assembly
			Drawn By: NIT	Project Name: Pearling Machine

Material: 16ga Mild Steel

Number Required: 1

Process Notes:

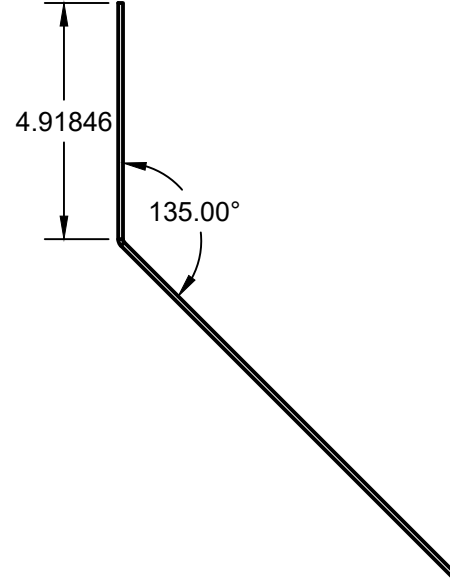
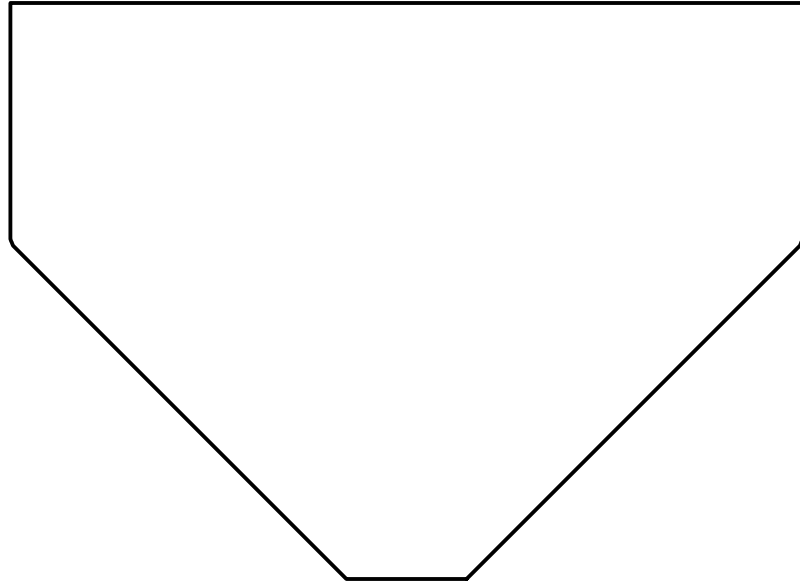


Revision Record	Date	Tolerances	Date:	Part Number:
		(except as noted) Decimals: +/- .005 except where noted Fractional: +/- $\frac{1}{32}$ Angular: +/- 1°	9/11/2022	H2
			Scale: 1:2	Title: Pearling Machine
			Drawn By: NIT	Project Name: Pearling Machine

Material: Part H1

Number Required: 4

Process Notes: Bend on Brake



Revision Record

Date

Tolerances

Date:

9/8/2022

Part Number:

H 1A

(except as noted)  
Decimals:  
+/- .005 except where noted  
Fractional:  
+/-  $\frac{1}{32}$   
Angular:  
+/- 1°

Scale:

1:4

Title:

Hopper Sides Bent H1A

Drawn By:

NIT

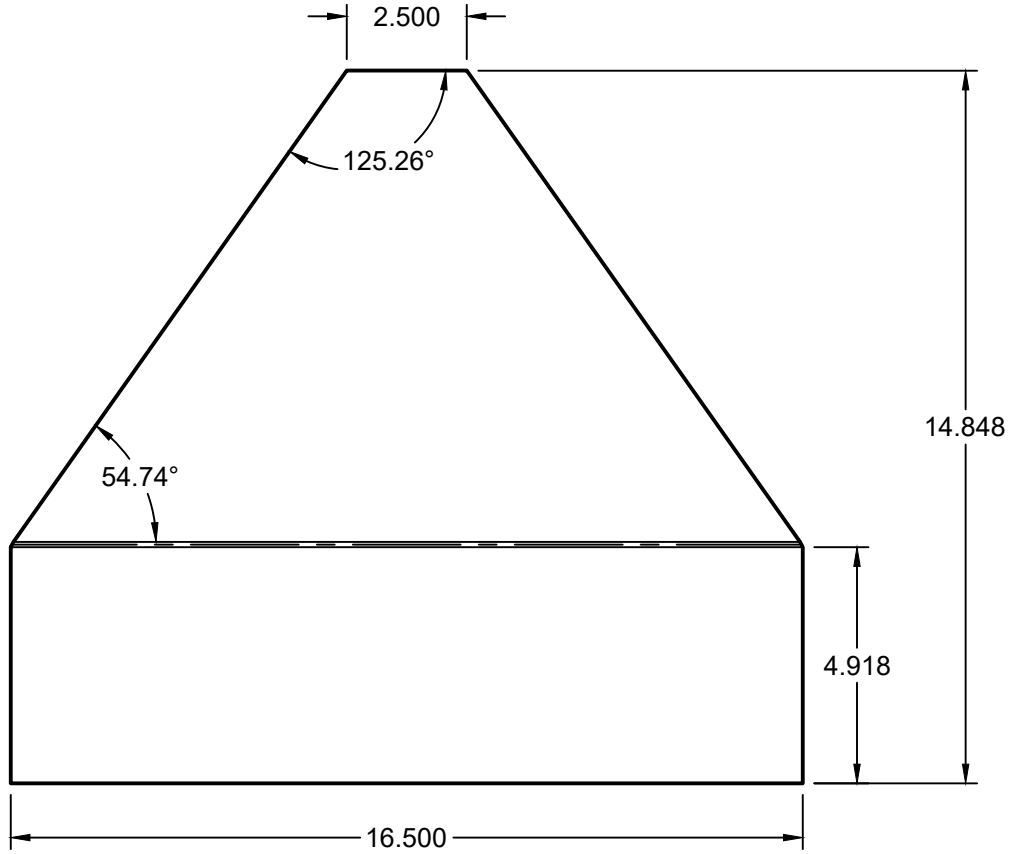
Project Name:

Pearling Machine

Material: 16ga Mild Steel

Number Required: 4

Process Notes:



Revision Record	Date	Tolerances	Date:	Part Number:
		(except as noted) Decimals: +/- .005 except where noted Fractional: +/- $\frac{1}{32}$ Angular: +/- 1°	9/8/2022	H 1
			Scale: 1:4	Title: Hopper Sides H1
			Drawn By: NIT	Project Name: Pearling Machine