

# "Tilt" cages - Side View

Pivot (Buoyant)

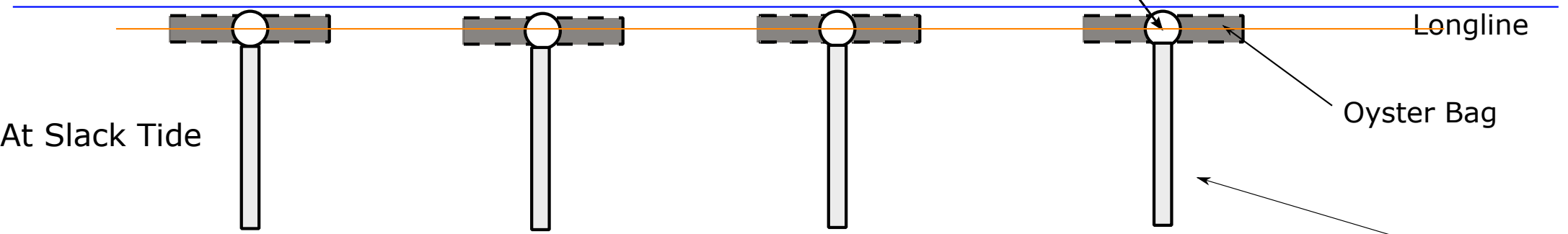
Water surface

Longline

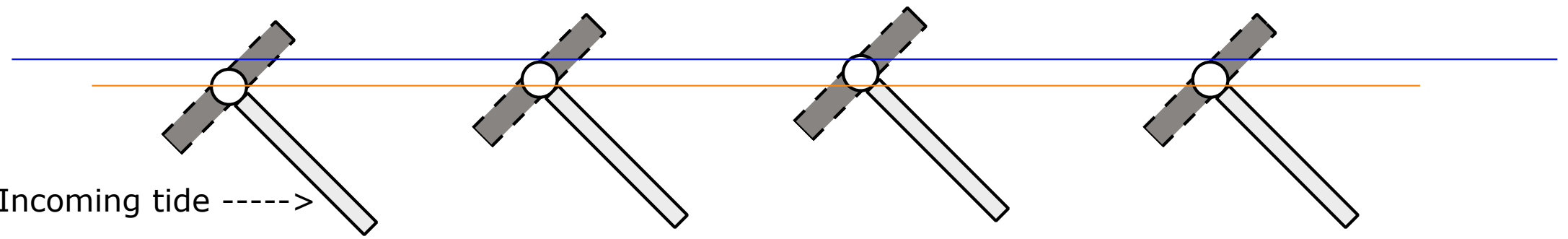
Oyster Bag

"Fin"

At Slack Tide



Incoming tide ----->



<-----Outgoing Tide

