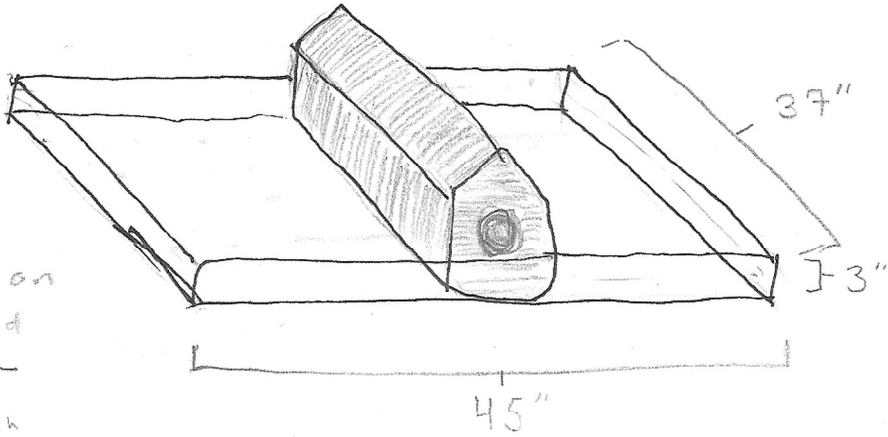
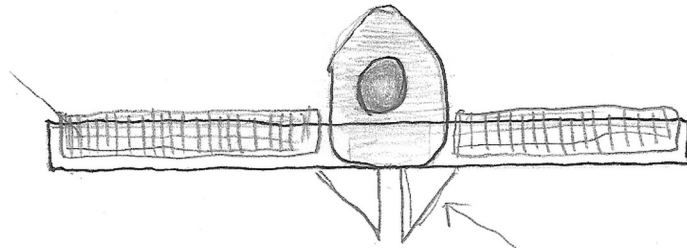


Cage material on bottom and sides only - bags held in with bungees



folded oyster bag



wire braces to hold fin

