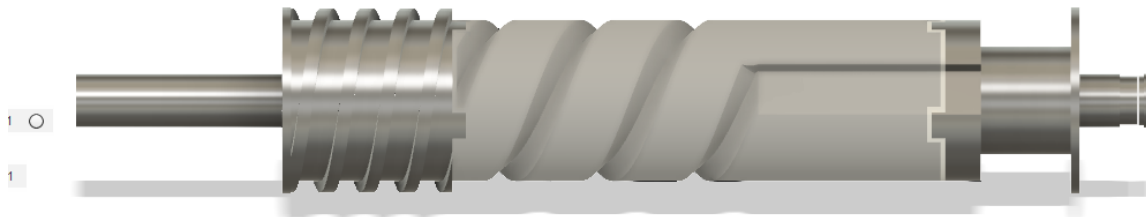


# SARE Pearling Machine CAD Pictures

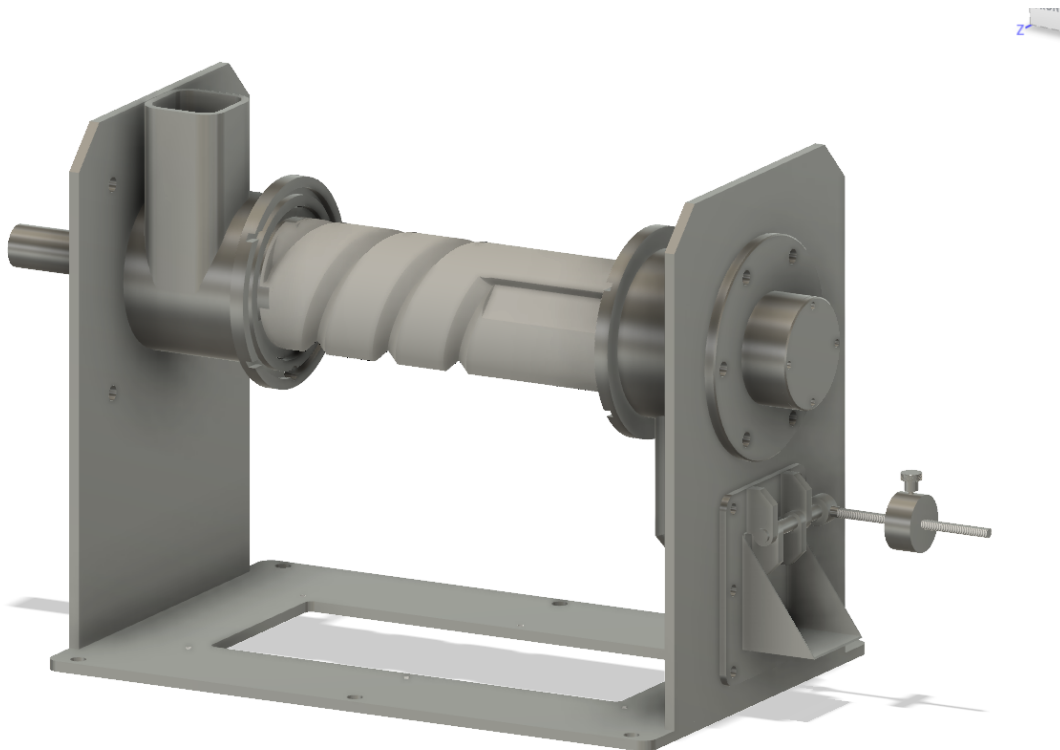


SARE project, FNE19-945

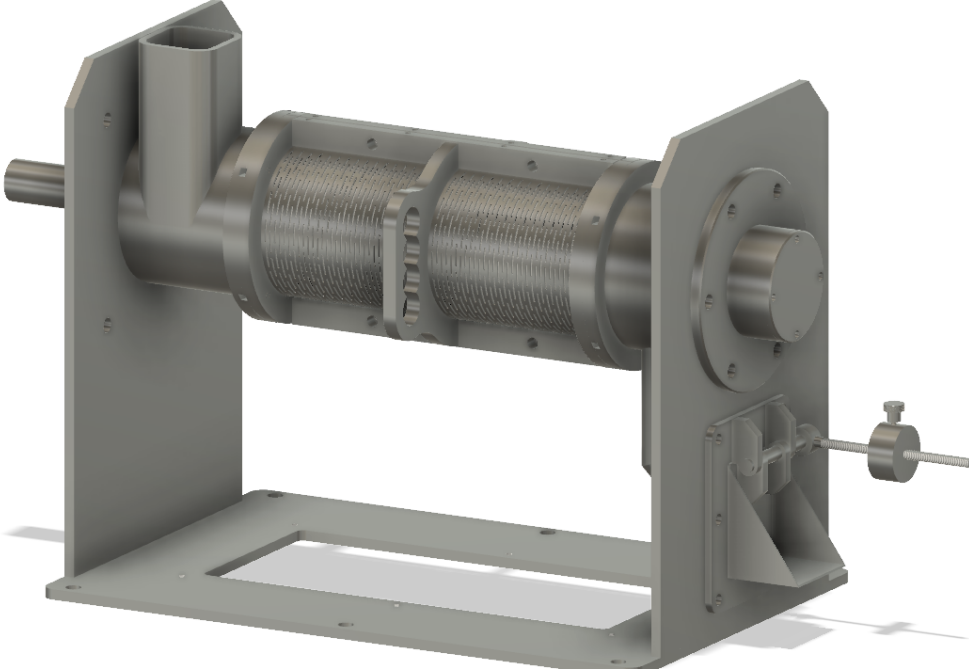
Main Shaft with Pearling Stone



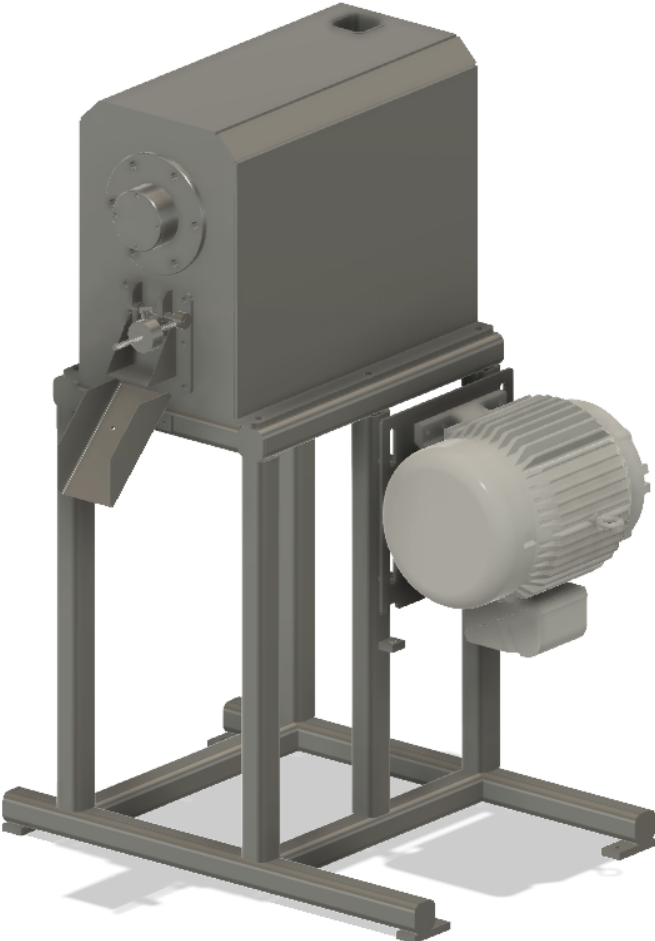
Housing with Discharge Door



With Pearling Screen



With Cladding, Base and Motor



With Hopper and Metering Gate Assembly

