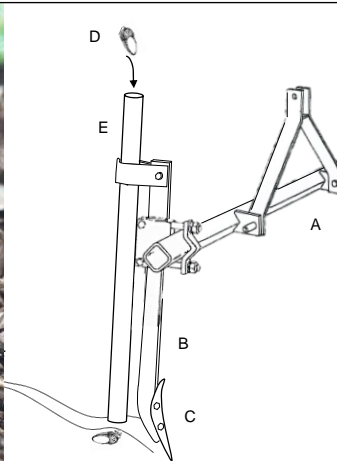


## EVALUATING DRILL SEEDING AS A TECHNIQUE FOR RESTORATION OF BLUE OAK WOODLANDS

November 22<sup>nd</sup>, 2021  
4-5 PM via Zoom

Meeting link: <https://us06web.zoom.us/j/86369976742>



Current restoration techniques of blue oak (*Quercus douglasii*) often include costly inventions such as irrigation, tree shelters, and herbicide. These interventions, while effective are not always practical and limit the scale of current restoration projects because of their costs. Alex Palmerlee of Far View Ranch will discuss the results of a three-year trial of drill-seeding blue oak acorns as an approach to restoring oak woodlands. Alex will cover the design of the drill seeder created for this project, share video of the seeder in action, and provide the results of two-years of experimental implementation and three years of monitoring.



Alex Palmerlee holds an MS in Ecology from UC Davis. His research is focused on scaling up restoration practices with new techniques.